



DEEP ROOF LIGHTING

LPL-LV series 3PC

SHOEBOX

OUTDOOR LIGHTING



120-277V
/
277-480V



Dimming



50,000Hrs



3000-5000K



FIELD ADJ.



FIELD ADJ.



Product Features

- High efficiency LED Driver, the wide range input voltage AC120-277, AC277-480V, Surge protection: 6KV.
- Bridgelux LED high luminous efficiency and long life.
- Die-cast aluminium design, better cooling and easy replacement, light quality.
- Excellent optical design, greatly improve the light utilization and evenness.
- Special designed rotatable lens, suitable for more applications.
- Innovative mounting kit allows single person to installtion.

Areas of application

Building Mount or Ground Mount for outdoor illumination (landscapes, display signage, loading docks building facades, pathways, parking areas, and other general site lighting requirements).



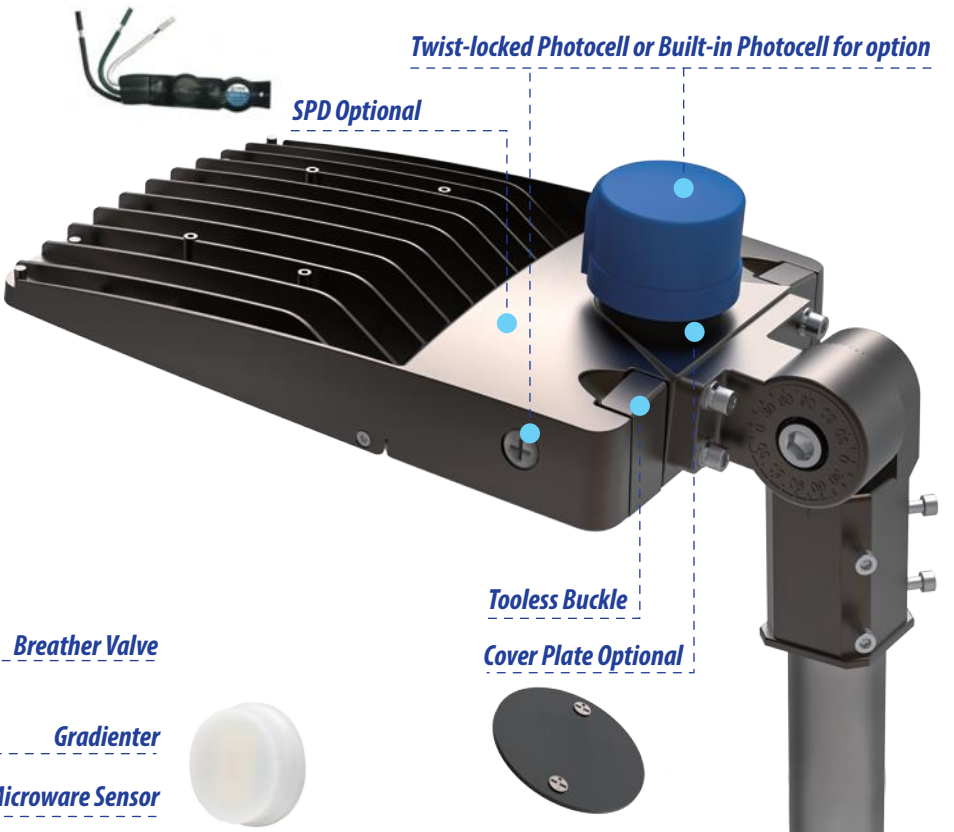
Accessories

LPL-LV-BKT-

<p>1</p>  <p>SF</p>	<p>2</p>  <p>PD1</p>	<p>3</p>  <p>PD2</p>	<p>4</p>  <p>PD</p>	<p>5</p>  <p>TR</p>
<i>Slipfitter</i>	<i>Adjustable Direct Mount (Square and round pole)</i>	<i>Quick Adjustable Direct Mount (Square and round pole)</i>	<i>Quick Direct Mount (Square and round pole)</i>	<i>Turnnion</i>
				
<p>6</p>  <p>YO</p>	<p>7</p>  <p>LPL-LV-SH <i>Glare Shield</i></p>	<p>8</p>  <p>LPL-LV-PS1 <i>Twist-locked Photocell / Short Cap</i></p>	<p>9</p>  <p>LPL-LV-OSM <i>PIR / Microwave</i></p>	<p>10</p>  <p>LPL-LV-BP <i>Bird Spikes</i></p>
<i>Yoke</i>				
				

Extended Function

Lens rotation funtion:
unscrew the screws to remove the lens and rotate the lens left or right. Refix the lens then you can rotate the distrubution left or right.



Twist-locked Photocell or Built-in Photocell for option

SPD Optional

Breather Valve

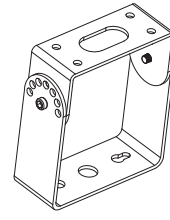
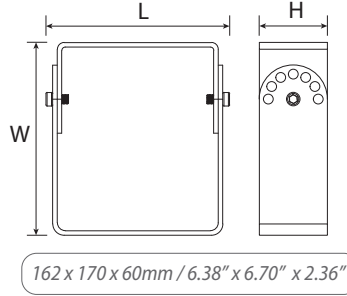
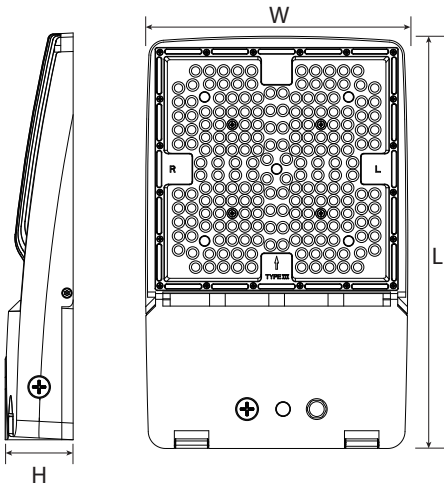
Gradienter

PIR/ Microwave Sensor

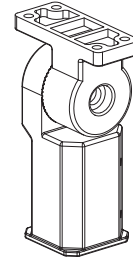
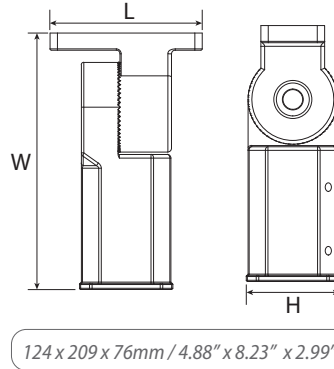
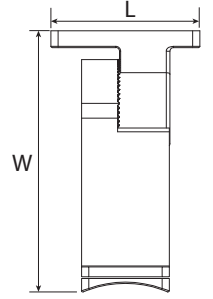
Tooless Buckle

Cover Plate Optional

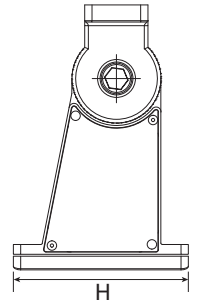
Dimension



Turnnion

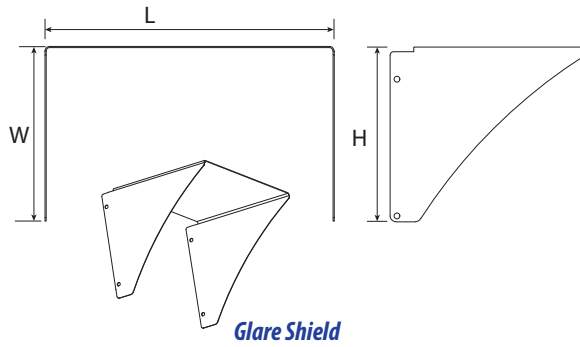
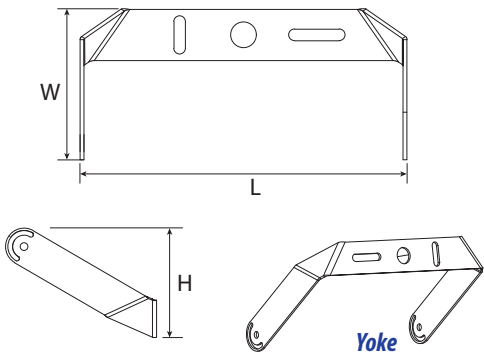


Slipfitter



Wattage	L x W x H
80/100/150W	395 x 251 x 66mm / 15.55" x 9.88" x 2.60"
200/240W	430 x 282 x 69mm / 16.93" x 11.10" x 2.72"
300W	476 x 322 x 70mm / 18.74" x 12.68" x 2.76"

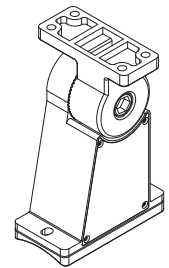
124 x 204.7 x 143.5mm / 4.88" x 8.06" x 5.65"



Glare Shield

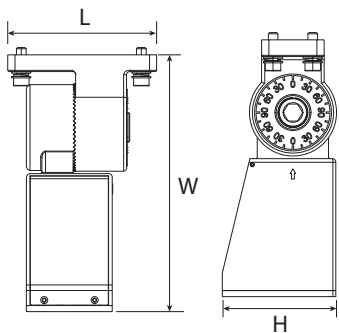
Wattage	L x W x H
150W	256 x 164 x 118mm / 10.08" x 6.46" x 4.65"
240W	286 x 181 x 128mm / 11.26" x 7.13" x 5.04"
300W	313 x 190 x 133mm / 12.32" x 7.48" x 5.24"

Wattage	L x W x H
150W	252 x 152 x 170.5mm / 9.92" x 5.98" x 6.71"
240W	282 x 180 x 162mm / 11.10" x 7.08" x 6.38"
300W	309 x 200 x 162mm / 12.17" x 7.87" x 6.38"

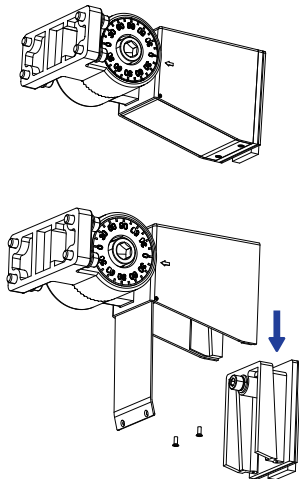


Adjustable Direct Mount

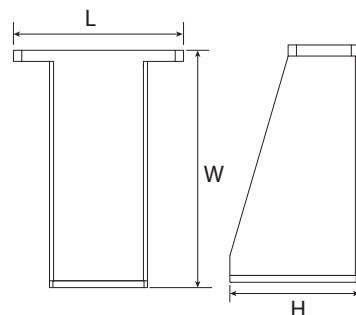
Quick Adjustable Direct Mount



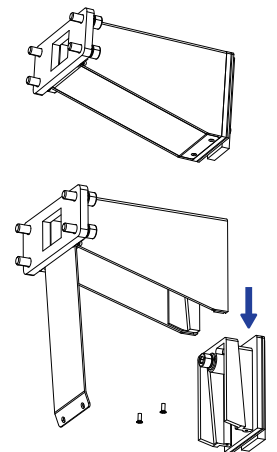
124 x 213.8 x 95mm / 4.88" x 8.42" x 3.74"



Quick Direct Mount



124 x 173 x 94.5mm / 4.88" x 6.81" x 3.72"



Specification



	LPL-LV150-D345-D1/D2	LPL-LV200-D345-D1/D2	LPL-LV300-D345-D1/D2
OPTICAL	Input Power ($\pm 10\%$)	150-100-80W select	100-150-200W select
	CCT	3000K-4000K-5000K selectable	
	Efficacy(-3%)	125 lm/W @3000K, 135lm/W @5000K	
	CRI	Ra80 (Ra70 is optional)	
	SDCM	< 7	
	Distribution Pattern	Type II/III/IV/V for option	
ELECTRICAL	Input Voltage and Frequency	D1 - 100-277VAC D2 - 277-480VAC , 50/60H z	
	PF (Tolerance: -3%)	≥ 0.9	
	THD	$\leq 20\%$	
	Flicker Percent	< 10%	
	Driver Surge protection	L/N-PE: 6kV, L-N: 6kV	
	Dimming	0-10V dimming with 12V independent auxiliary power supply	
	Sensor Type	Microwave Sensor, PIR sensor, Photocell	
	Receptacle	3PIN/5PIN/7PIN receptacle for option	
	Optional Accessory	Microwave Sensor, PIR sensor, Photocell, Surge-protective Device, shorting cap , glare shield, mounting kit	
MATERIALS	LED Brand	Brigelix	
	LED Type	SMD2835	
	Housing	Die-cast aluminum	
	Housing Color	Bronze, Black, or Customized	
	Waterproof Rating	Wet location (IP65)	
OTHERS	Operating Temperature	Without Motion Sensor: -40°C TO 50°C; With Motion Sensor: -35°C TO 50°C	
	Storage Temperature	-40°C TO 80°C	
	Operating Humidity	20% - 90% RH	
	Storage Humidity	10% - 95% RH	
	Certificate	UL, FCC, DLC5.1 Premium	
	Warranty	5 years	

Packing Information

	Outer Carton	QTY/CTN
Shoebox 150W	415 x 270 x 110mm / 16.34" x 10.63" x 4.33"	1 PC
Shoebox 240W	445 x 300 x 110mm / 17.53" x 11.81" x 4.33"	1 PC
Shoebox 300W	485 x 330 x 110mm / 19.09" x 12.99" x 4.33"	1 PC
Slipfitter	410 x 270 x 230mm / 16.14" x 10.63" x 9.05"	10 PCS
Turnnion	340 x 330 x 200mm / 13.38" x 12.99" x 7.87"	10 PCS
Adjustable direct mount	420 x 315 x 235mm / 16.53" x 12.40" x 9.25"	6 PCS
Quick adjustable direct mount	325 x 280 x 235mm / 12.79" x 11.02" x 9.25"	6 PCS
Quick direct mount	415 x 325 x 370mm / 16.34" x 12.79" x 14.56"	18 PCS
150W Yoke	460 x 305 x 275mm / 18.11" x 12.00" x 10.83"	20 PCS
240W Yoke	460 x 315 x 300mm / 18.11" x 12.40" x 11.81"	20 PCS
300W Yoke	460 x 320 x 325mm / 18.11" x 12.60" x 12.79"	20 PCS
150W glare shield	540 x 380 x 340mm / 21.30" x 14.96" x 13.38"	16 PCS
240W glare shield	600 x 380 x 380mm / 23.62" x 14.96" x 14.96"	16 PCS
300W glare shield	640 x 380 x 440mm / 25.20" x 14.96" x 17.32"	16 PCS

