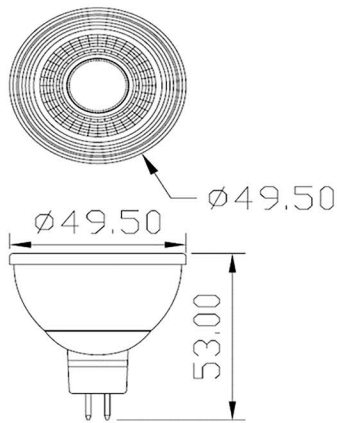


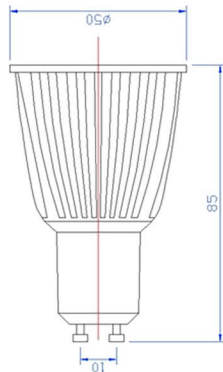
## LED MR16 COB Top Line



- 5.3 watts, Low-Voltage 12VDC/AC, G5.3 Base, Angle 38°
- 550-600 Lumen, Compatible or brighter than halogen 50 watts
- Greater than 100 lumen/watt
- Dim using Trailing Edge Dimmer for electronic power supply
- Dim by Triac Dimmer for magnetic type transformer
- Uniform light circle, no multiple shade

### Item Code

LMR16C-LV-6D-38 :	12 VAC/DC, G5.3 base, Daylight 6000-6500 K, 38°
LMR16C-LV-6C-38 :	12 VAC/DC, G5.3 base, Cool White 4000-4500 K, 38°
LMR16C-LV-6W-38 :	12 VAC/DC, G5.3 base, Warm White 2700-3300 K, 38°

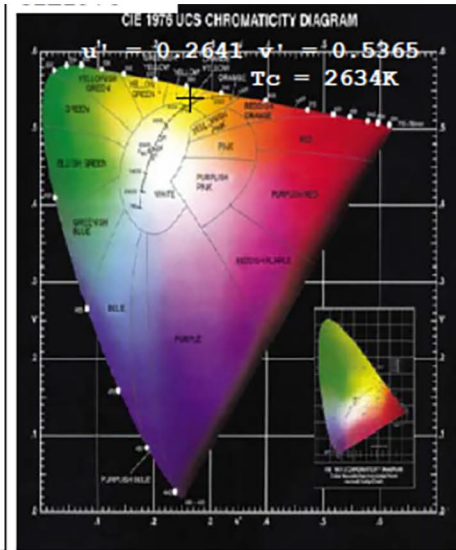
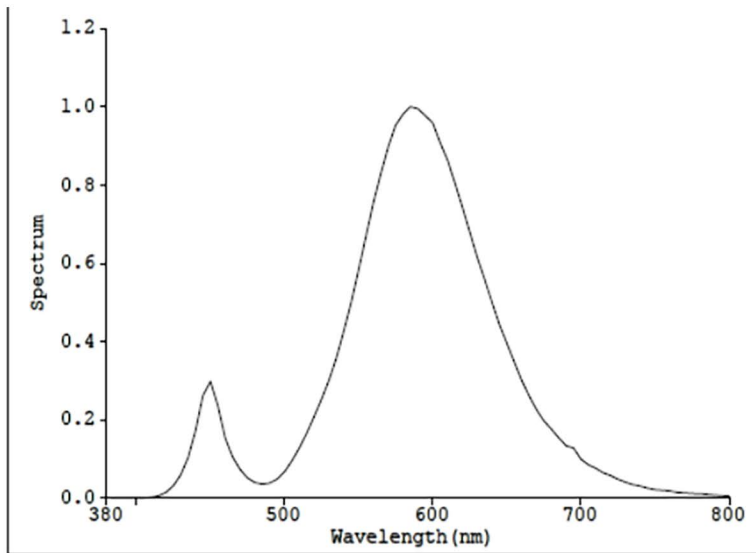


- 6/7 watts, Line-Voltage 120VAC, GU10 Base, Angle 38°
- 600-650 Lumen, Compatible halogen 75 watts
- Greater than 100 lumen/watt
- Dimmable using Triac Dimmer
- Uniform light circle, No multiple shade
- Diam - 50 mm / Length - 85 mm

### Item Code

LMR16C-GU-6D-38 :	120 VAC, GU10 base, Daylight 6000-6500 K, 38°, Non-Dim
LMR16C-GU-6C-38 :	120 VAC, GU10 base, Cool White 4000-4500 K, 38°, Non-Dim
LMR16C-GU-6W-38 :	120 VAC, GU10 base, Warm White 2700-3300 K, 38°, Non-Dim
LMR16C-GU-D6D-38 :	120 VAC, GU10 base, Daylight 6000-6500 K, 38°, Dimmable
LMR16C-GU-D6C-38 :	120 VAC, GU10 base, Cool White 4000-4500 K, 38°, Dimmable
LMR16C-GU-D6W-38 :	120 VAC, GU10 base, Warm White 2700-3300 K, 38°, Dimmable

# LED MR16 COB Top Line



## Color Parameters:

Chromaticity Coordinate:  $x=0.4754$  ( $dx=0.0100$ )  $y=0.4292$  ( $dy=0.0175$ )

Chromaticity Coordinate:  $u'=0.2641$   $v'=0.5365$  ( $duv=5.47e-03$ )

$T_c=2634K$  Dominant WL:  $L_d=583.0nm$  Purity= $71.6\%$  Centroid WL:  $590.0nm$

Ratio:  $R=23.2\%$   $G=76.0\%$   $B=0.8\%$  Peak WL:  $L_p=585.0nm$  HWL:  $95.1nm$

Render Index:  $R_a=56.3$

$R1 = 49$   $R2 = 71$   $R3 = 92$   $R4 = 45$   $R5 = 45$   $R6 = 56$   $R7 = 71$

$R8 = 22$   $R9 = -80$   $R10 = 36$   $R11 = 29$   $R12 = 16$   $R13 = 52$   $R14 = 95$   $R15 = 42$

## Photo Parameters:

Flux:  $630.36$  lm Fe:  $1.6631$  W Efficacy:  $115.4$  lm/W

WHITE: ANSI\_2700K

## Electrical Parameters:

Luminaire: U= $241.0V$  I= $0.07490A$  P= $5.462W$  PF= $0.3026$

### Instrument Status:

Scan Range:  $380.0nm-800.0nm$  Interval:  $5.0nm[0]$

REF= $29276$  ( $R=4$ )

%= $-0.473\%$

$I_p=29646$  ( $G=5, D=54$ )

PMT:  $24.8$  centigrade [ $150.0$ ]

# LED MR16 COB Top Line



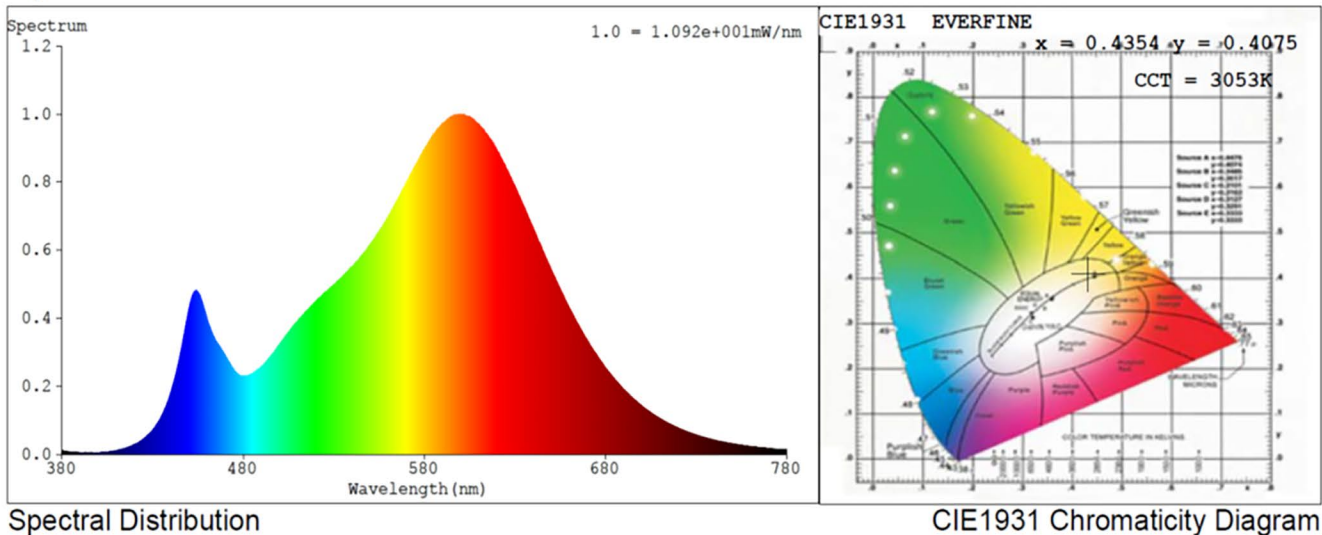
UL certified / Compact size 7 watts / Ø50 mm X 55 mm length

- 7 watts, Line-Voltage 120VAC, GU10 Base, Angle 38°
- 650-650 Lumen, Compatible to halogen 75 watts
  - 90 lumen/watt
- Dimmable using Triac Dimmer
- Uniform light circle, no multiple shade

## Item Code

- LMR16C-GU-D6D-38-J : 120 VAC, GU10 base, Daylight 5000 K, 38°, Dimmable  
LMR16C-GU-D6C-38-J : 120 VAC, GU10 base, Cool White 4000 K, 38°, Dimmable  
LMR16C-GU-D6W-38-J : 120 VAC, GU10 base, Warm White 3000 K, 38°, Dimmable 38°

## Spectrum



## Colorimetric Parameters

Chromaticity Coordinate:  $x = 0.4354$   $y = 0.4075$  /  $u' = 0.2481$   $v' = 0.5225$  ( $duv=1.58e-03$ )

CCT= 3053K Prcp WL:  $L_d=582.0nm$  Purity=53.0%

Peak WL:  $L_p=600nm$  FWHM:  $=123.3nm$  Ratio:R=22.1% G=75.1% B=2.8%

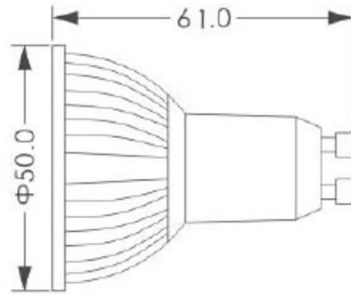
Render Index:  $R_a = 80.4$

R1 =78 R2 =90 R3 =95 R4 =77 R5 =78 R6 =88 R7 =81

R8 =55 R9 =5 R10=78 R11=75 R12=69 R13=81 R14=98 R15=70

LEVEL:OUT WHITE:ANSI\_3000K

## LED MR16 COB Top Line



- ETL listed
- 5 watts, Line-Voltage 120VAC, GU10 Base, Angle 38°
- 500 Lumen, Compatible to halogen 50 watts
- Dimmable using Trailing Edge Dimmer
- Uniform light circle, no multiple shade

### Item Code

LMR16C-GU-5D-38 :	120 VAC, GU10 base, Daylight 6000-6500 K, 38°, Non-Dim
LMR16C-GU-5C-38 :	120 VAC, GU10 base, Cool White 4000-4500 K, 38°, Non-Dim
LMR16C-GU-5W-38 :	120 VAC, GU10 base, Warm White 2700-3300 K, 38°, Non-Dim
LMR16C-GU-D5D-38 :	120 VAC, GU10 base, Daylight 6000-6500 K, 38°, Dimmable
LMR16C-GU-D5C-38 :	120 VAC, GU10 base, Cool White 4000-4500 K, 38°, Dimmable
LMR16C-GU-D5W-38 :	120 VAC, GU10 base, Warm White 2700-3300 K, 38°, Dimmable