



DEEP ROOF LIGHTING INC.
55 Sea Cliff Avenue, Glen Cove, NY 11542
P.O. Box 520191, Flushing, NY 11352
Tel: 516-676-9100, 9101, 9103, 9105, 9106
Fax: 516-676-9109

[Web Site: www.deeprooflighting.com](http://www.deeprooflighting.com)

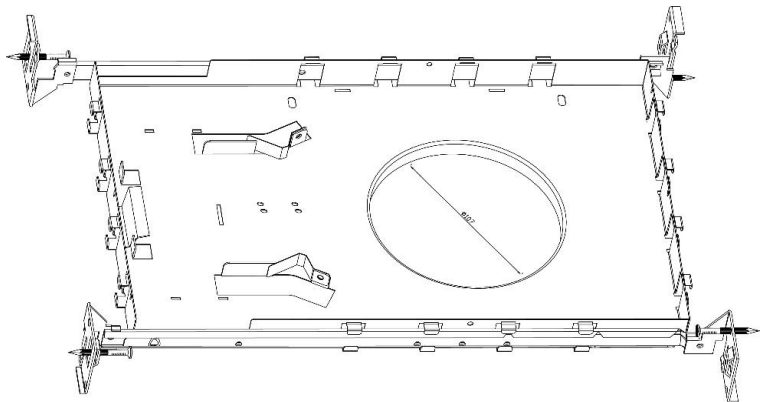
[Email: deeproof@aol.com](mailto:deeproof@aol.com) cs@deeprooflighting.com

Open ceiling plate for LED slim panels



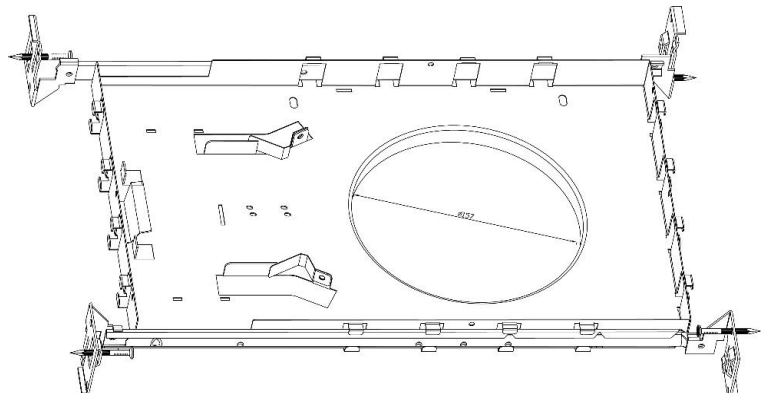
4 inch mounting plate for round/ square LED slim mini panel light

1. Item no.: DSM-R4
2. Size : 360*200mm
3. Cut hole size: $\Phi 107\text{mm}$
4. Ceiling cut hole size: $\Phi 112\text{mm}$



6 inch mounting plate for round LED slim mini panel light

1. Item No.: DSM-R6
2. Size : 360*200mm
3. Cut hole Size: $\Phi 157$
4. Ceiling cut hole size: $\Phi 162\text{mm}$



Installation :

1. Insert bar hangers into the slots on the plaster frame.
2. Extend bar hangers to fit between joists. Position fixture temporarily by hammering "nail-in" tabs into joists then secure permanently with nails.
3. Separate junction box from slim panel, fix the box with clips
4. Connect the wires
5. Close ceiling and cut hole to expose plate hole
6. Mount LED slim mini panel and plug with junction box.