



**DEEP ROOF LIGHTING INC.**  
 55 Sae Cliff Avenue, Glen Cove, NY 11542  
 Tel: 516-676-9100, -9101, -9103, -9105, -9106  
 Fax: 516-676-9101  
 Web Site: [www.deeprooflighting.com](http://www.deeprooflighting.com)  
 Email: [deeproof@aol.com](mailto:deeproof@aol.com) [deeproofgg@gmail.com](mailto:deeproofgg@gmail.com) [cs.deeproof@gmail.com](mailto:cs.deeproof@gmail.com)

## LED Ceiling Flush Mount Lights - UL/ETL/ES

◀ **Master lights** ▶

**3CCT Adjustable**



3000K



4000K



5000K

**ITEM CODE:** LCM1-MS1423-D345

**Black**

**Triac Dimming**

LCM1-MS1423-D345-SN

**Satin Nickel**

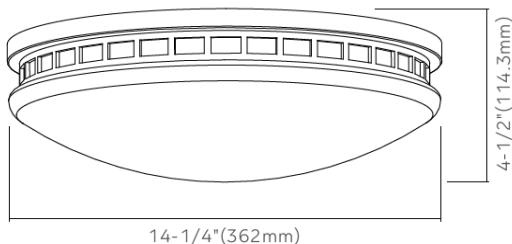
**Triac Dimming**



### Specifications

Models	CC1924
Applications	Residential/commercial/office
Wattage	23W
Color Temperature(K)	3 CCT
	3000/4000/5000
Lumen Output(lm)	1600/1610/1620
Halogen Equivalent	150W
Beam Angle	120°
CRI	80/90
Driver Input	120V AC
Power Factor	0.9
Dimming	Triac dimming
Approved Location*	Insulated ceiling, Indoor & Damp location
Ambient Temperature	-40°C to +40°C
Air Tight	Yes
Projected Life	70% light output at 50,000 hours
Certification	ETL
Warranty*	Retail: lifetime warranty      Project: 5-year warranty

- **Construction:** steel body with plastic diffuser
- **Mounting:** DC design, it is flat on the back and suitable for installation on or over most standard junction boxes.
- **3 CCT:** adjusting the color temperature from (3000K, 4000K, 5000K) with toggle switch or wall switch



4-1/2\"/>

14-1/4\"/>

Approved Location\*-please contact our sales for outdoor application  
 Warranty\*-refer to Lightonia warranty policy

## ◀ Twin Rings ▶



- Cold rolled steel plate and rings
- Blowing mode high quality PS material
- Efficient heat dissipating Aluminum pillars
- 10", 14" and 18" LED bulge ceiling Lights
- CRI 85 high performance LED chips
- Dimmable
- UL, ULc, Energy star

10" -  $\Phi$ 250x70 mm

14" -  $\Phi$ 360x95 mm

18" -  $\Phi$ 460x120 mm

**3CCT Adjustable**



3000K



4000K



5000K



### Item Codes

LCM1-R1014-D(30/40/50)SN(-B)	10", 14 W, 1010 lumen, 120 VAC, Dimm, Single 3/4/5000K, Brush Nickel
LCM1-R1015-D3CC-SN-WD	10", 15 W, 1100 lumen, 120 VAC, Dimm, 3+4+5K switchable, Bsh Nickl
LCM1-R1422-D(30/40/50)-SN	14", 22 W, 1550 lumen, 120 VAC, Dimm, Single 3/4/5000 K, Brush Nickel
LCM1-R1427-D(30/40/50)SN-B	14", 27 W, 2100 lumen, 120 VAC, Dimm, Single 3/4/5000 K, Bsh Nickl
LCM1-R1425-D3CC-SN-WD	14", 25 W, 1900 lumen, 120 VAC, Dimm, 3+4+5K switchable, Bsh Nickl
LCM1-R1830-D(30/40/50)SN(-B)	18", 30 W, 2400 lumen, 120 VAC, Dimm, Single 3/4/5000 K, Brush Nickel
LCM1-R1830-D3CC-HM	18", 30 W, 2400 lumen, 120 VAC, Dimm, 3 colors 3+4+5 K, Brush Nickel

### • Emergency pack cover



### Item Codes

LCM1-R10-EMC  
LCM1-R14-EMC  
LCM1-R18-EMC

Cover for 10" twin ring  
Cover for 14" twin ring  
Cover for 18" twin ring

◀ **Mushroom** ▶



- Cold forging metal plate
- Blowing mode high quality PS material
- 12" and 16" LED bulge ceiling Lights
- CRI 85 high performance LED chips
- Dimmable Triac
- UL, ULc, Energy star

12" - Φ300x80 mm

16" - Φ400x116 mm

**Item Codes**

LCM1-M1115-D(30/40/50)W-CN	11", 15 W, 1100 lumen, 120 VAC, Dimmable, Single 3/4/5000 K, White
LCM1-M1214-D(30/40/50)W	12", 14 W, 1010 lumen, 120 VAC, Dimmable, Single 3/4/5000 K, White
LCM1-M1520-D(30/40/50)W-CN	15", 20 W, 1500 lumen, 120 VAC, Dimmable, Single 3/4/5000 K, White
LCM1-M1622-D(30/40/50)W	16", 22 W, 1550 lumen, 120 VAC, Dimmable, Single 3/4/5000 K, White

◀ **Mushroom 5 Colors** ▶

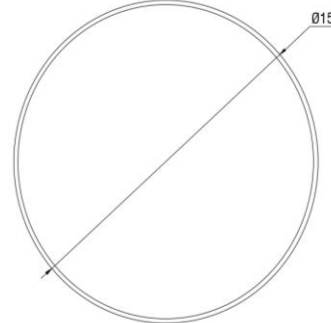
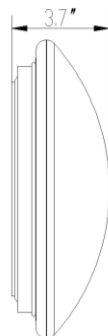
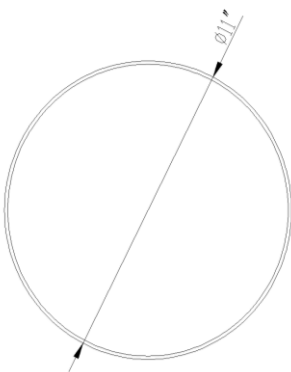


• **G Series** •

- Cold forging metal plate
- Blowing mode high quality PS material
- 5 Colors 2700+3000+3500+4000+5000 Switchab
- 11" 16W , 15" 24W LED 75-80 Lumen/Watt
- CRI 85 high performance LED chips
- Dimmable triac
- ETL, ETLc, Energy star
- DOB Driver on board technology

11" - Φ11" X 3.7"

15" - Φ15" X 4.5"



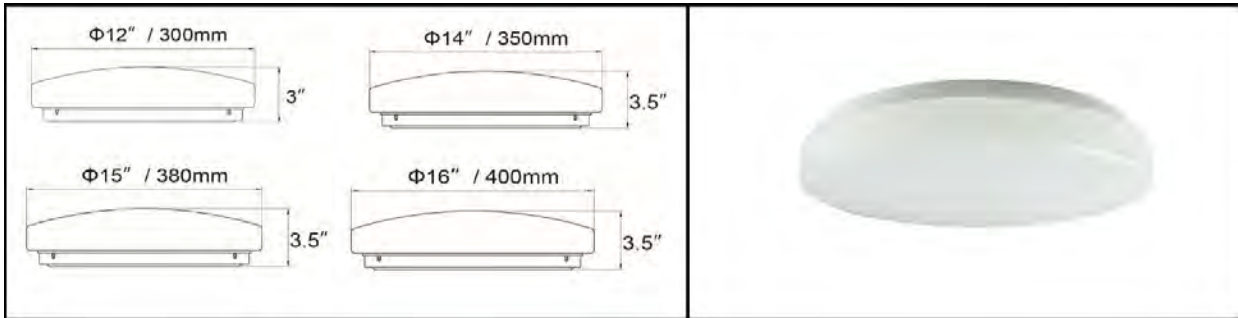
**Item Codes**

LCM1-M1116-D5CC-G	11", 16 W, 1200-1280 lumen, 120 VAC, Dimmable, 2.7+3+3.5+4+5 K colors
LCM1-M1524-D5CC-G	15", 24 W, 1800-1920 lumen, 120 VAC, Dimmable, 2.7+3+3.5+4+5 K colors

◀ Drum ▶



- Cold forging metal plate
  - Blowing mode high quality PS material
  - 12" and 16" LED bulge ceiling Lights
  - CRI 85 high performance LED chips
  - UL/ETL, ULc/ETLc, or Energy star
- 12" -  $\Phi 300 \times 80$  mm      15" -  $\Phi 380 \times 90$  mm



**Item Codes**

LCM1-D1115-D(30/40/50)W-CN	11", 15 W, 1100 lumen, 120 VAC, Dimmable, Single 3/4/5000 K, White
LCM1-D1215-D(30/40/50)W	12", 15 W, 1100 lumen, 120 VAC, Dimmable, Single 3/4/5000 K, White
LCM1-D1520-D(30/40/50)W-CN	15", 20 W, 1500 lumen, 120 VAC, Dimmable, Single 3/4/5000 K, White
LCM1-D1622-D(30/40/50)W	16", 22 W, 1550 lumen, 120 VAC, Dimmable, Single 3/4/5000 K, White

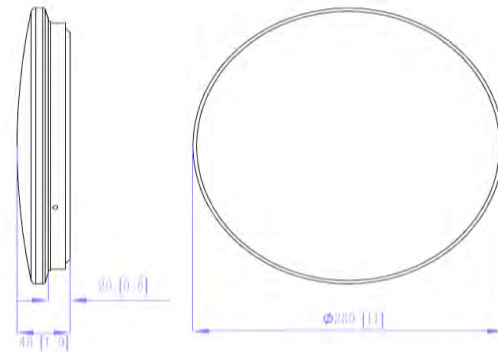
◀ Drum 5 colors ▶



11" -  $\Phi 11" \times 1.8"$   
 15" -  $\Phi 15" \times 2.56"$

• G Series •

- Cold forging metal plate
- Blowing mode high quality PS material
- 5 Colors 2700+3000+3500+4000+5000 Switchab
- 11" 16W and 15" 24W 75-80 Lumen/Watt
- Dimmable Triac
- CRI 85 high performance LED chips
- UL/ETL, ULc/ETLc, or Energy star



**Item Codes**

LCD1-D1116-D5CC-G	11", 16 W, 1200-1280 lumen, 120 VAC, Dimmable, 2.7+3+3.5+4+5 K colors
LCM1-D1524-D5CC-G	15", 24 W, 1800-1920 lumen, 120 VAC, Dimmable, 2.7+3+3.5+4+5 K colors

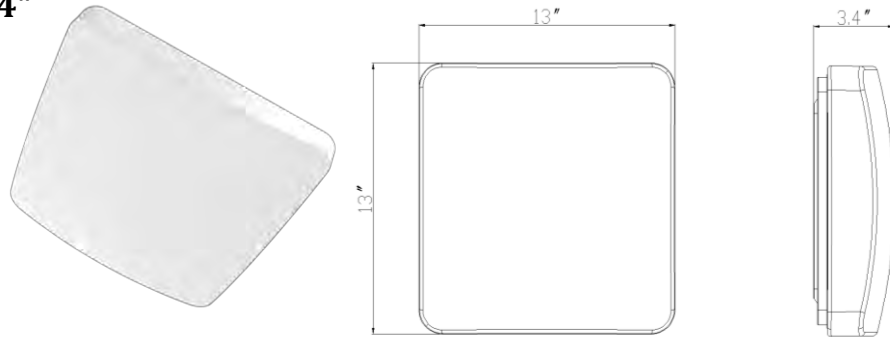
◀ Square puff 5 colors ▶



11" - 11" X 11" X 3.4"  
13" - 13" X 13" X 3.4"

• G Series •

- Cold forging metal plate
- Blowing mode high quality PS material
- 11" 16W, 13" 24W 75-80 Lumen/Watt
- 5 Colors 2700+3000+3500+4000+5000 Switchab
- CRI 85 high performance LED chips
- Dimmable triac
- UL/ETL, ULc/ETLc, or Energy star
- DOB Driver on board technology



**Item Codes**

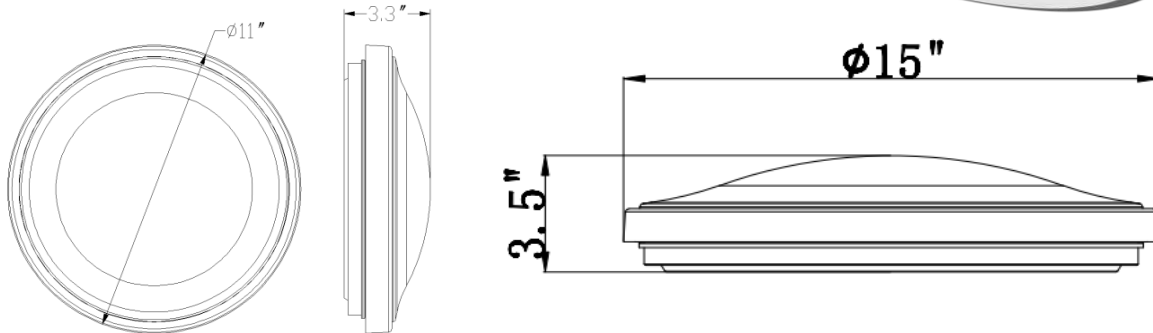
LCM1-Q1116-D5CC-G  
LCM1-Q1324-D5CC-G

11", 16 W, 1200-1280 lumen, 120 VAC, Dimmable, 2.7+3+3.5+4+5 K colors  
13", 24 W, 1800-1920 lumen, 120 VAC, Dimmable, 2.7+3+3.5+4+5 K colors

◀ Band Ring 5 colors ▶

Brush Nickel

• G Series •



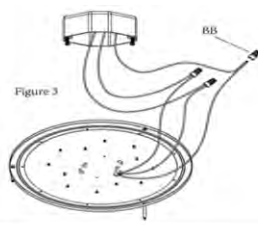
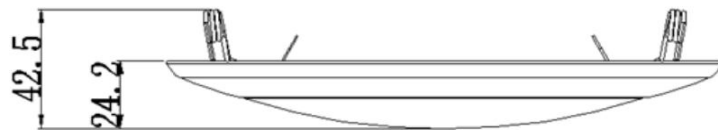
**Item Codes**

LCM1-BR1116-D5CC-SN-G 11", 16 W, 1200-1280 lumen, 120 VAC, Dimmable, 2.7+3+3.5+4+5 K colors  
LCM1-BR1524-D5CC-SN-G 15", 24 W, 1800-1920 lumen, 120 VAC, Dimmable, 2.7+3+3.5+4+5 K colors

## ◀ Trust ▶ Disk lights ceiling mount

7.5" Diam,. 15 watts, 1100 lumen

- Input voltage 120 VAC
- Cold forging Aluminum plate
- Injection mode hi quality PC material
- 7.5" LED Disk ceiling Lights
- CRI 85 high performance LED chips
- Color white and brush nickel selector
- Dimmable
- ETL, Energy star

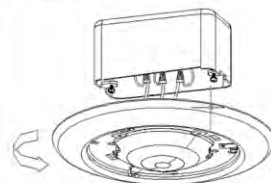


•Connect the house white wire to the mounting plate (Part A) white wire using the wire nut (BB)  
NOTE: For proper connection, place the wire nuts (BB) over wires and twist clockwise until tight (Figure 3)  
OPTIONAL: Wrap connected wire nuts with electrical tape.

Mounting to 4" and 6" J-box



Figure 3



### 3. ATTACHING THE MOUNTING PLATE

- Attach the mounting plate to the junction box by aligning the holes on the mounting plate (Part A) with the screws on the junction box.
- Turn mounting plate clockwise to lock in place and tighten screws to ensure the fixture is secure and will not move (Figure 4)

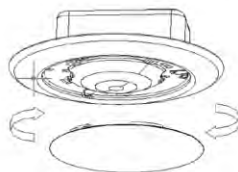


Figure 5

### 4. ATTACHING THE LAMP SHADE

- Reattach lamp shade to mounting plate and twist to lock in place (Figure 5)

## Item Codes

LCM1-T0815-D30W-B  
LCM1-T0815-D40W-B  
LCM1-T0815-D50W-B  
LCM1-T0815-D30SN-B  
LCM1-T0815-D40SN-B  
LCM1-T0815-D50SN-B

White 7.5" Disk, 15W, 1100 Lumen, 3000K, Triac Dimm  
White 7.5" Disk, 15W, 1100 Lumen, 4000K, Triac Dimm  
White 7.5" Disk, 15W, 1100 Lumen, 5000K, Triac Dimm  
Satin Nickel 7.5" Disk, 15W, 1100 Lumen, 3000K, Triac Dimm  
Satin Nickel 7.5" Disk, 15W, 1100 Lumen, 4000K, Triac Dimm  
Satin Nickel 7.5" Disk, 15W, 1100 Lumen, 5000K, Triac Dimm

◀ **Soldier** ▶



7" -  $\Phi$ 185x100 mm

- Cold forging metal plate
- Injection mode high quality PC material
- 7" LED bulge ceiling Lights
- CRI 85 high performance LED chips
- Color white and brush nickel selection
- Dimmable
- UL, ULc, Energy star



**Item Codes**

LCM1-S0710-D30W	7", 10 W, 700 lumen, 120 VAC, Dimmable, 3000 K, white
LCM1-S0710-D40W	7", 10 W, 700 lumen, 120 VAC, Dimmable, 4000 K, white
LCM1-S0710-D30SN	7", 10 W, 700 lumen, 120 VAC, Dimmable, 3000 K, Brush Nickel
LCM1-S0710-D40SN	7", 10 W, 700 lumen, 120 VAC, Dimmable, 4000 K, Brush Nickel