

# 8" COMPACT FLUORESCENT RECESS, NON DIMMING

8" COMPACT FLUORESCENT RECESS, NON DIMMING

## DP-842N-2HA

8" New construction, Non-IC, Non Dimmable, Horizontal Housing  
For 2 lamp of 42 or 32 or 26 watts  
PLC 42 or 32 W - Triple Twin, GX24q base, 4 Pin  
PLC 26 W - Quad, G24q base, 4 Pin

## DP-826N-2HA

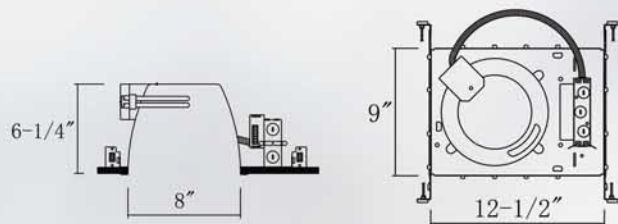
8" New construction, Non-IC, Non Dimmable, Horizontal Housing  
For 2 lamp of 26 watts

## DP-842N-1HA

8" New construction, Non-IC, Non Dimmable, Horizontal Housing  
For 1 lamp of 42 or 32 or 26 watts

## DP-818N-2HA

8" New construction, Non-IC, Non Dimmable, Horizontal Housing  
For 2 lamp of 18 watts, Quad, G24q 4 Pin



For non-insulated ceiling or for insulated ceiling but insulation must be kept 3" from housing on all sides.

## Housing Features

Galvanized steel construction.  
The reflector can be removed to access to the ballast.

## Junction Box

Listed for through branch circuit wiring  
Contains seven 7/8" knockouts and four Romex plyouts with strain relief.  
Access to junction box and ballast from below ceiling is by removing reflector

## Bar Hanger

Pre-installed Real nail easily installs in regular lumber, engineered lumber  
Bar hangers are adjustable from 13-5/8" to 25" and can be repositioned 90 degree on plaster frame

## Electronic Ballast

Thermally protected, fused, HPF electronic ballast provides full light output and rated lamp life.  
Non Dimming, Universal voltage 120 - 277 VAC input.

## Listings

CUL Listed for Damp Location  
CUL Listed for Feed Through  
Energy Star Qualified

# 8" COMPACT FLUORESCENT RECESS, NON DIMMING

## DP-842R-1HA

8" Remodel, Non-IC, Non Dimmable, Horizontal Housing  
For 1 lamp of 42 or 32 or 26 watts  
PLC 42 or 32 W - Triple Twin, GX24q base, 4 Pin  
PLC 26 W - Quad, G24q base, 4 Pin

## DP-826R-2HA

8" Remodel, Non-IC, Non Dimmable, Horizontal Housing  
For 2 lamp of 26 watts  
PLC 26 W - Quad, G24q base, 4 Pin

## DP-818R-2HA

8" Remodel, Non-IC, Non Dimmable, Horizontal Housing  
For 2 lamps of 18 watts, Quad, G24q 4 Pin.



For Non IC housings, Insulation must be kept 3" from all sides of the housings  
It can be installed from below the ceiling.

## Housing Features

Single wall aluminum housing

## Junction Box

Listed for through branch circuit wiring  
Contains seven 7/8" knockouts and four Romex pryouts with strain relief.

## Remodel Clips

Four remodel clips secure housing and accommodates 1/2" and 5/8" ceiling materials.

## Electronic Ballast

Thermally protected, fused, HPF electronic ballast provides full light output and rated lamp life.  
Non Dimming, Universal voltage 120 - 277 VAC input.

## Listings

CUL Listed for Damp Location  
CUL Listed for Feed Through  
Energy Start Qualified  
Meets State of California Title 24 requirements

# 8" COMPACT FLUORESCENT RECESS, NON DIMMING

8" COMPACT FLUORESCENT RECESS, NON DIMMING

## Trims : For 8" Non Dimming Housings

**DPT-801W-HA** White Baffle, Clear Hazy reflector, White Ring



**DPT-805C-HA** Clear Hazy Reflector, White Ring



**DPT-807A-HA** Albalite lense, Clear Hazy Reflector, White Ring



**DPT-808X-HA** Cross Louver, Clear Hazy Reflector, White Ring



**DPT-809-HA** Wall Wash, Clear Hazy Reflector, White Ring



## Ring Replacement:

Chrome Ring



Gold Ring



Satin Nickel Ring



# 8" COMPACT FLUORESCENT RECESS, DIMMABLE

## DD842N-2HU

NEW CONSTRUCTION, NON-IC, HORIZONTAL

Lamps: 2x42, 2x32, 2x26 Watt CFL

Ballast: DEEP ROOF DIMMING BALLAST-BF042D: 98% HPF, 10-100% Dimmable 120-277 Universal Voltage

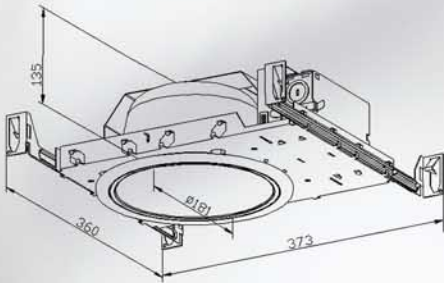
Dimmer: BD-A(10 Amp), BD-B(16 Amp)

For 120V, 2x42 Watt application: BD-A support up to 14 fixtures, BD-B support up to 22 fixtures

For 120V, 2x32 Watt application: BD-A support up to 18 fixtures, BD-B support up to 29 fixtures

For 120V, 2x26 Watt application: BD-A support up to 22 fixtures, BD-B support up to 36 fixtures

Overload the dimmer may result in breakdown, dimmer replacement maybe required.



\*Screw knob fastened reflector provide approx. 1cm thickness of sheet rocks housing.

\*Another screw of longer length for thicker sheet included.

## Housing Features

- Thermally Protected
- 10-100% Dimmable State of Art Ballast
- Wire Through Junction Box with 7 knockouts of 3/4"
- 4 Romex Pry-outs
- Hanger Bar with 16" to 24" joist span

## Listings

- ETL and ETLIC
- Ballast UL and ULC

# 8" COMPACT FLUORESCENT RECESS, DIMMABLE

8" COMPACT FLUORESCENT RECESS, DIMMABLE

## DD842R-2HU

REMODEL, NON-IC, HORIZONTAL

Lamps: 2x42, 2x32, 2x26 Watt CFL

Ballast: DEEP ROOF DIMMING BALLAST-BF-042D:98% HPF, 10-100% Dimmable 120-277 Universal Voltage

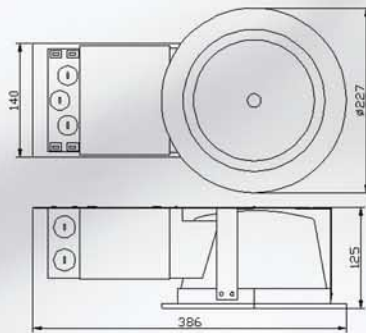
Dimmer: BD-A(10 Amp), BD-B(16 Amp)

For 120V, 2x42 Watt application: BD-A support up to 14 fixtures, BD-B support up to 22 fixtures

For 120V, 2x32 Watt application: BD-A support up to 18 fixtures, BD-B support up to 29 fixtures

For 120V, 2x26 Watt application: BD-A support up to 22 fixtures, BD-B support up to 36 fixtures

Overload the dimmer may result in breakdown, dimmer replacement maybe required.



3 adjustable supports accommodate up to 2 cm thickness of sheet rocks.

## Housing Features

- Thermally Protected
- 10-100% Dimmable State of Art Ballast
- Wire Through Junction Box with 7 knockouts of 3/4"
- 4 Romex Pry-outs

## Listings

- ETL and ETL
- Ballast UL and ULC

# 8" COMPACT FLUORESCENT RECESS, DIMMABLE

8" COMPACT FLUORESCENT RECESS, DIMMABLE

## DD842IC-2HU

NEW CONSTRUCTION, IC,HORIZONTAL

Lamps: 2x26 Watt CFL

Ballast: DEEP ROOF DIMMING BALLAST-BF042D:98% HPF, 10-100% Dimmable 120-277 Universal Voltage

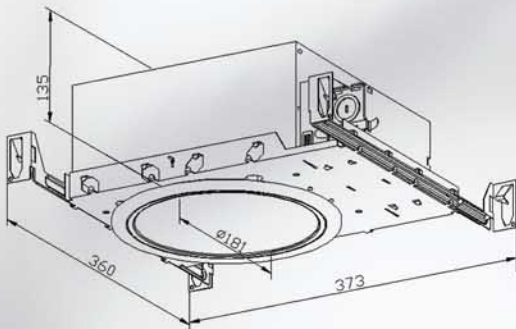
Dimmer: BD-A(10 Amp), BD-B(16 Amp)

For 120V, 2x42 Watt application: BD-A support up to 14 fixtures, BD-B support up to 22 fixtures

For 120V, 2x32 Watt application: BD-A support up to 18 fixtures, BD-B support up to 29 fixtures

For 120V, 2x26 Watt application: BD-A support up to 22 fixtures, BD-B support up to 36 fixtures

Overload the dimmer may result in breakdown, dimmer replacement maybe required.



\*Screw knob fastened reflector provide approx. 1cm thickness of sheet rocks housing.

\*Another screw of longer length for thicker sheet included.

## Housing Features

- Thermally Protected
- 10-100% Dimmable State of Art Ballast
- Wire Through Junction Box with 7 knockouts of 3/4"
- 4 Romex Pry-outs
- Insulation Contact

## Listings

- ETL and ETLIC
- Ballast UL and ULC

# 8" COMPACT FLUORESCENT RECESS, DIMMABLE

8" COMPACT FLUORESCENT RECESS, DIMMABLE



**DPT-805C-H**

Clear Hazy Reflector



**DPT-805G-H**

Gold Reflector



**DPT-808LA**

Albalite Lense Blade



**DPT-801W-H**

Clear Hazy Reflector  
White Baffle



**DPT-801B-H**

Clear Hazy Reflector  
Black Baffle



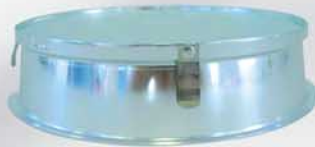
**DPT-808LX**

Cross Blade



**DPT-808LW**

Wheel Blade



**DPT-808LA**



**DPT-808LX**

## Replacement Rings



**Chrome  
Wide Ring**



**Gold  
Wide Ring**



**Satin Nickel  
Wide Ring**