

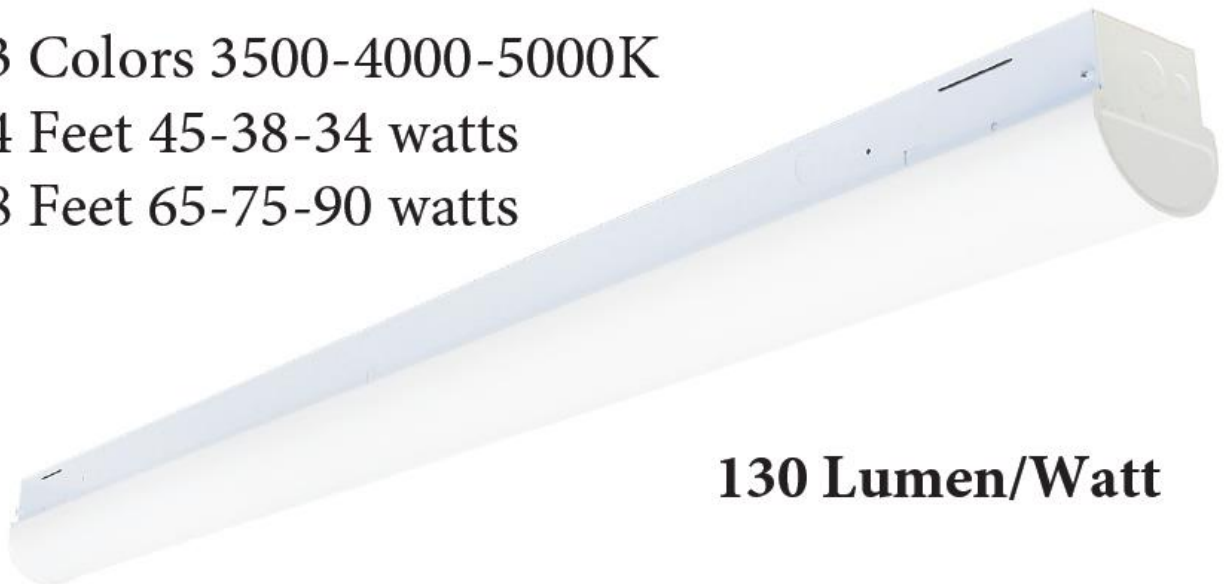


**DEEP ROOF LIGHTING INC.**  
**55 Sea Cliff Avenue, Glen Cove, NY 11542**  
**P.O. Box 520191, Flushing, NY 11352**  
**Tel: 516-676-9100, 9101, 9103, 9105, 9106**  
**Fax: 516-676-9109**  
[Web Site: www.deeprooflighting.com](http://www.deeprooflighting.com)  
[Email: deeproof@aol.com](mailto:deeproof@aol.com) [jay@deeprooflighting.com](mailto:jay@deeprooflighting.com)

**LED Linear Strip 3PC V-series      **UL DLC****

- 3 powers, 3 colors switchable •

3 Colors 3500-4000-5000K  
4 Feet 45-38-34 watts  
8 Feet 65-75-90 watts



**130 Lumen/Watt**

**ITEM CODES**

LLSL-V4F334-D345-D1  
LLSL-V8F679-D345-D2

4 ft, 0-10 VDC dim, 100-277 VAC, 34-38-45 watts, 3.5/4/5K colors  
8 ft, 0-10 VDC dim, 100-277 VAC, 65-75-90 watts, 3.5/4/5K colors

**Ratings**

- DLC Listed
- UL 1598 suitable for damp locations
- UL 8750 LED equipment in Lighting Products
- Temperature Rated at (-20°C to +45°C)(-4°F to 113°F)
- The 0-10V Dimming type is continuous
- The product can dim to 10%

## Dimensions:MM

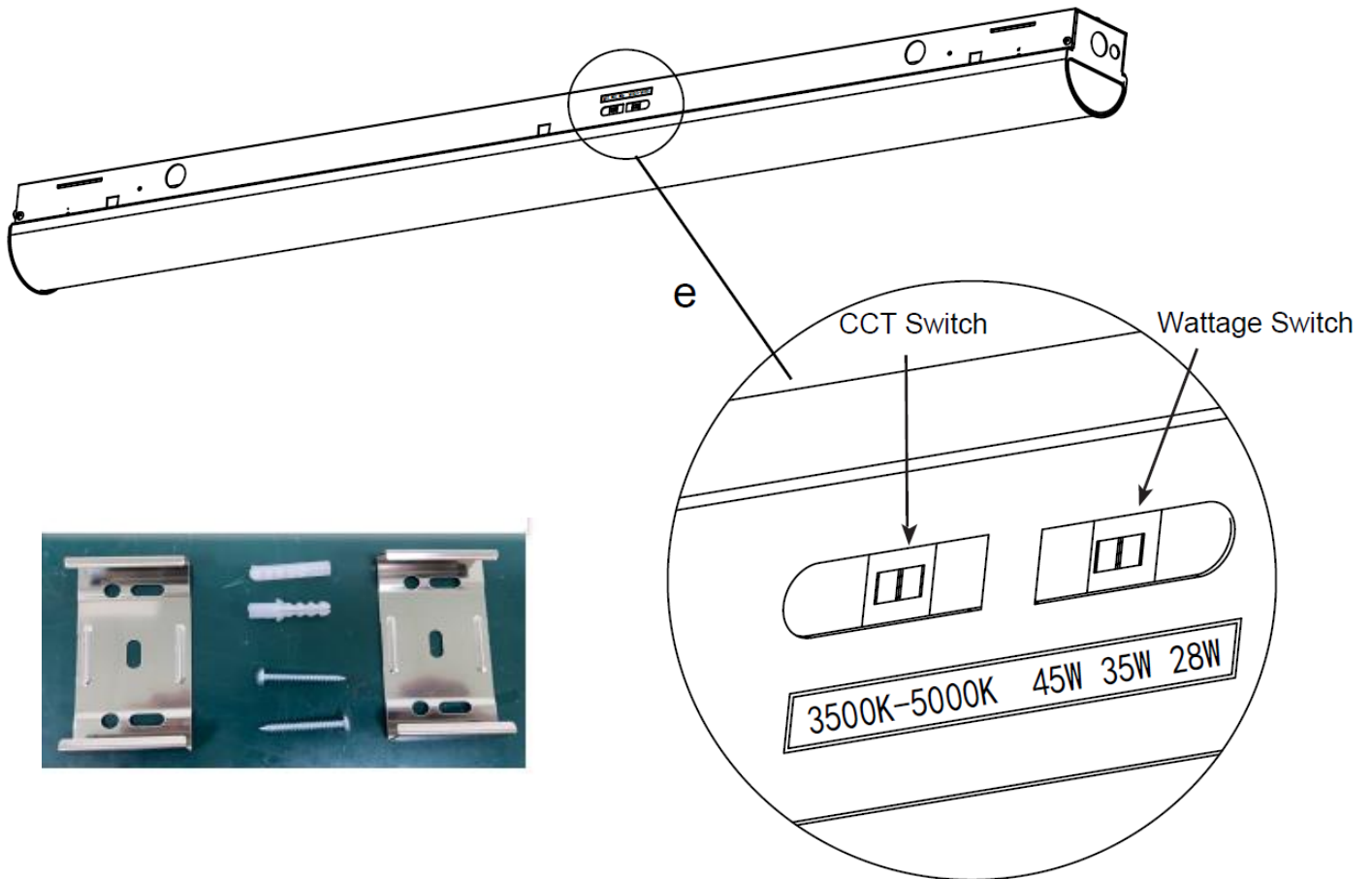
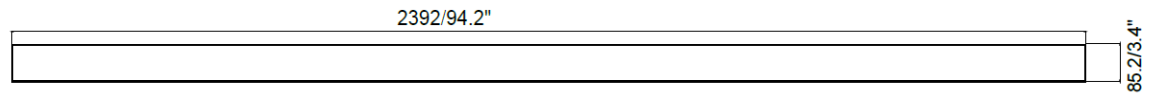
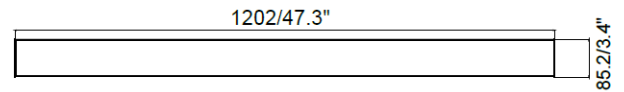
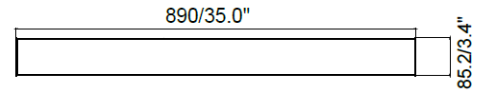
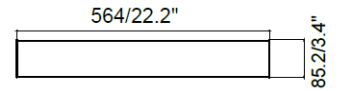
### Specifications

Length:564/890/1202/2392(22.2"/35.0"/47.3"/94.2")

Width: 85 (3.35)

Depth: 90.8(3.57)

Weight:1.32/1.71/2.05/4.10(kg)

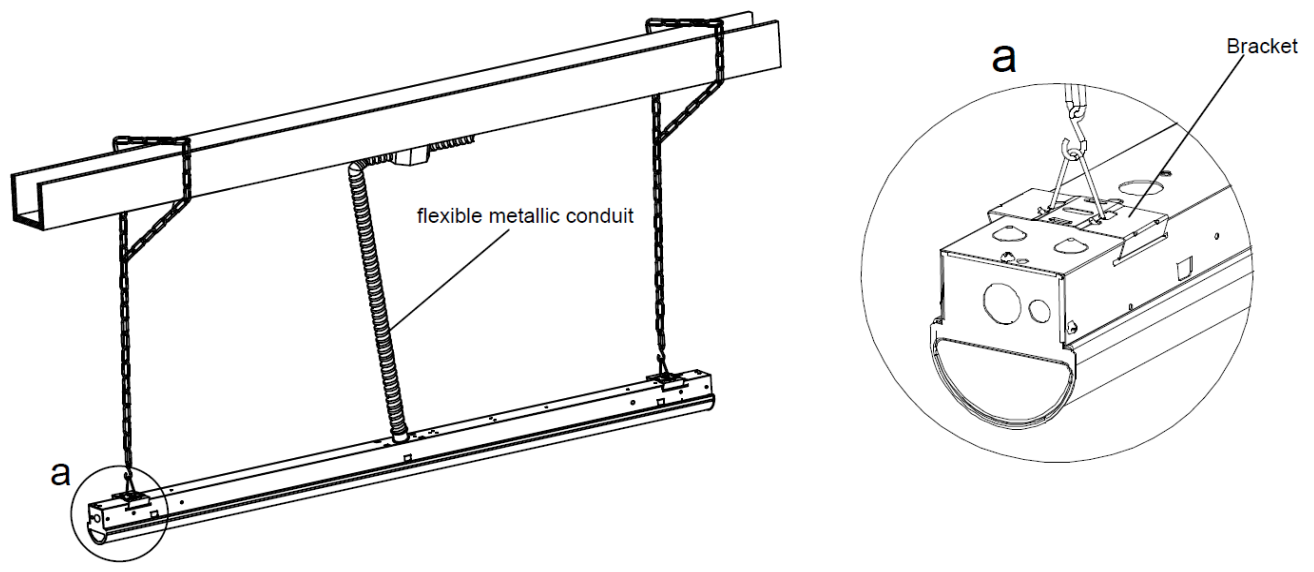


**Powder coated steel white housing**

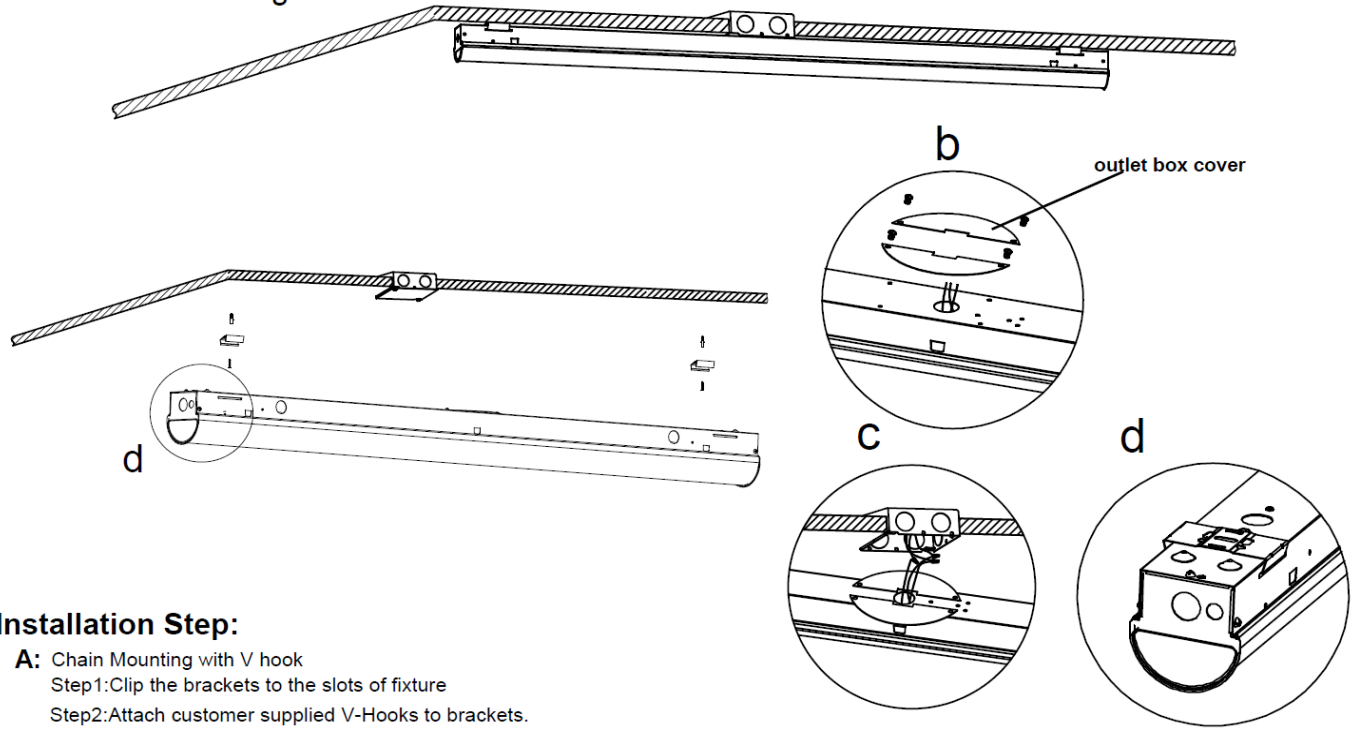
**Galvanized Steel Housing,  
White, PMMA Lens**

**Package include 2 clips and 2 V-hook  
Suspension chain 1.05 meter separate**

**A: Chain Suspended Mounting**



**B: Surface Mounting**



**Installation Step:**

- A: Chain Mounting with V hook**
  - Step1:Clip the brackets to the slots of fixture
  - Step2:Attach customer supplied V-Hooks to brackets.
  - Step3:Attach customer supplied chain to the V-hooks and mounting surface.
- B: Surface Mounting**
  - Step1: Secure the provided brackets onto the ceiling bying the provided accessories and screws.
  - Step2: Screw the covers at the outlet of the back of the housing.(Figure b)
  - Step3: Wire to mian power through the junction box (figure c)
  - Step4: Then clip the brackets to the slots of fixture(figure d)