



**DEEP ROOF LIGHTING INC.**  
**55 Sea Cliff Avenue, Glen Cove, NY 11542**  
**P.O. Box 520191, Flushing, NY 11352**  
**Tel: 516-676-9100, 9101, 9103, 9105, 9106**  
**Fax: 516-676-9109**  
 Web Site: [www.deeprooflighting.com](http://www.deeprooflighting.com)  
 Email: [deeproof@aol.com](mailto:deeproof@aol.com) [jay@deeprooflighting.com](mailto:jay@deeprooflighting.com)

**LED Flat Panel Back lights**

**ETL DLC**



**3 Colors :**

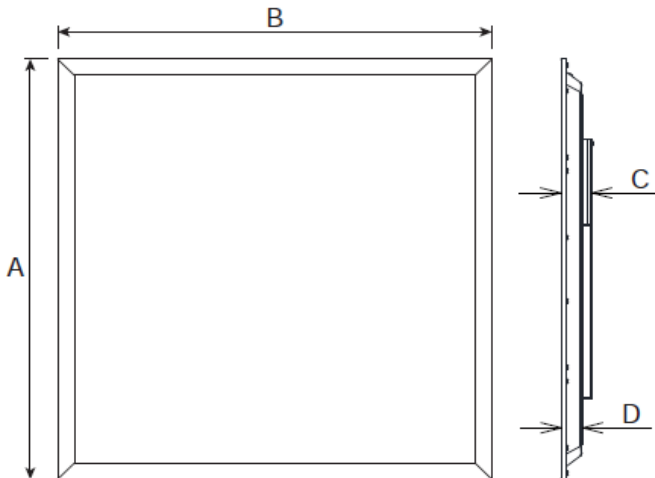
- 3, 4, 5000K
- Switch on site

**3 Powers :**

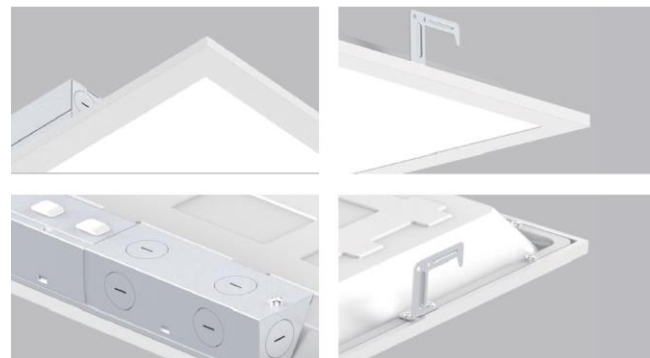
- 2x2 - 20,30,40 W
- 1x4 - 30,40,50 W
- 2x4 - 30,40,50 W
- 2x4 - 40,50,60 W

**DLC Premium**

- 125-130 lumen/W
- 100-277 VAC input
- 0 - 10 VDC Dimm



Model	Dimension(mm)				Size(mm)
	A	B	C	D	
2X2	603	603	42	32	603*603*42
1X4	303	1213	42	32	303*1213*42
2X4	603	1213	42	32	603*1213*42

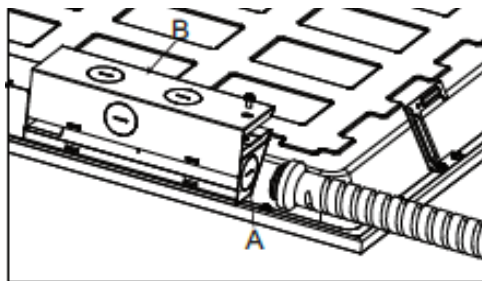


**ITEM CODES**

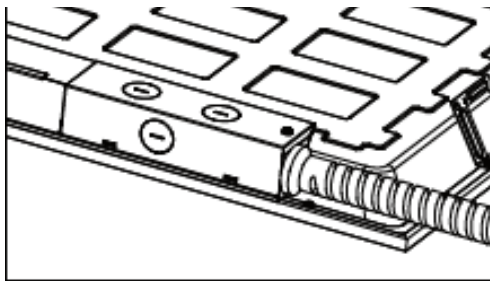
- |                            |   |
|----------------------------|---|
| LP22-WP234-D345-Z1         | 2X2 20-30-40 W, ≈130 LPW, 3-4-5000 K, 100-277 VAC   |
| LP22-WP234-D345-(U1/J1/M1) | 2X2 20-30-40 W, ≈130 LPW, 3.5-4-5000 K, 100-277 VAC |
| LP14-WP345-D345-H1         | 1X4 30-40-50 W, ≈130 LPW, 3-4-5000 K, 100-277 VAC   |
| LP24-WP344-D345-JL1        | 2X4 30-40-45 W, ≈130 LPW, 3.5-4-5000 K, 100-277 VAC |
| LP24-WP345-D345-(U1/J1/M1) | 2X4 30-40-50 W, ≈130 LPW, 3.5-4-5000 K, 100-277 VAC |
| LP24-WP456-D345-Z1         | 2X4 40-50-60 W, ≈130 LPW, 3-4-5000 K, 100-277 VAC   |

# Technical Data Sheet

Dimension(mm)	603*603*42			303*1213*42			603*1213*42			
Cutout (mm)	-			-			-			
Watt(W)	20W	30W	40W	20W	30W	40W	30W	40W	50W	
Rated Input Voltage(V)	AC100-277V									
Input Voltage(V)	AC90-305V									
LED Module Input	30-42V DC 500mA CC	30-42V DC 750mA CC	30-42V DC 950mA CC	30-42V DC 500mA CC	30-42V DC 750mA CC	30-42V DC 950mA CC	30-42V DC 750mA CC	30-42V DC 950mA CC	30-42V DC 1300mA CC	
Light Source	SMD									
SDCM	<6									
CCT(K)	1-CCT: 3000K/3500K/4000K/5000K   3-CCT: 3500K+4000K+5000K									
CCT Selection DIP Switch	Yes									
Luminous Flux (lm) ±5%	Non-DIM	1-CCT		-						
	DIM	2500-2600	3750-3900	5000-5200	2500-2600	3750-3900	5000-5200	3750-3900	5000-5200	6250-6500
	Non-DIM	3-CCT		-						
	DIM	2500-2600	3750-3900	5000-5200	2500-2600	3750-3900	5000-5200	3750-3900	5000-5200	6250-6500
CRI	≥80									
Beam Angle (°)	120°									
UGR	22									
LED Driver	Built-out									
Dimming Option	0-10V									
Sensor	-									
Emergency Kits	-									
Electrical Class	Class I									
Ingress Protection (IP Rating)	IP20									
Impact Resistance (IK Rating)	-									
Product Finishing(Base)	White 9016									
Materials of Optics	PMMA(Lens)+PS(Diffuser)									
Materials of Housing	Aluminum(Frame)									
Lifetime (hr)	50,000h									
Glow wire test (°C)	650°C									
Operating Temp. (°C)	-20°C ~45°C									
Storage Temp. (°C)	-20°C ~65°C									

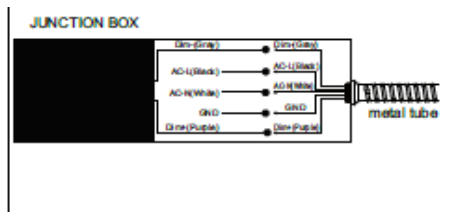


(1) Remove the knock-down hole on box by screwdriver (Part A), Remove screw and take out the driver cover (Part B)

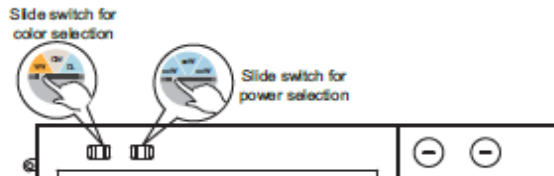


(3) Cover the driver box and tighten it with a screwdriver, finish connection.

For the product with Slide Switch of CCT or power selection, please select the CCT or power needed before installation. (Ignore these steps if without the function)



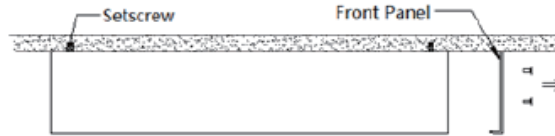
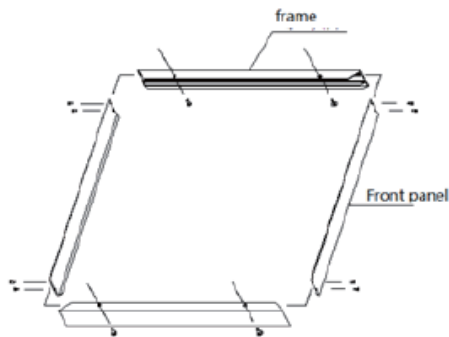
(2) Connect the wire as the picture showing.



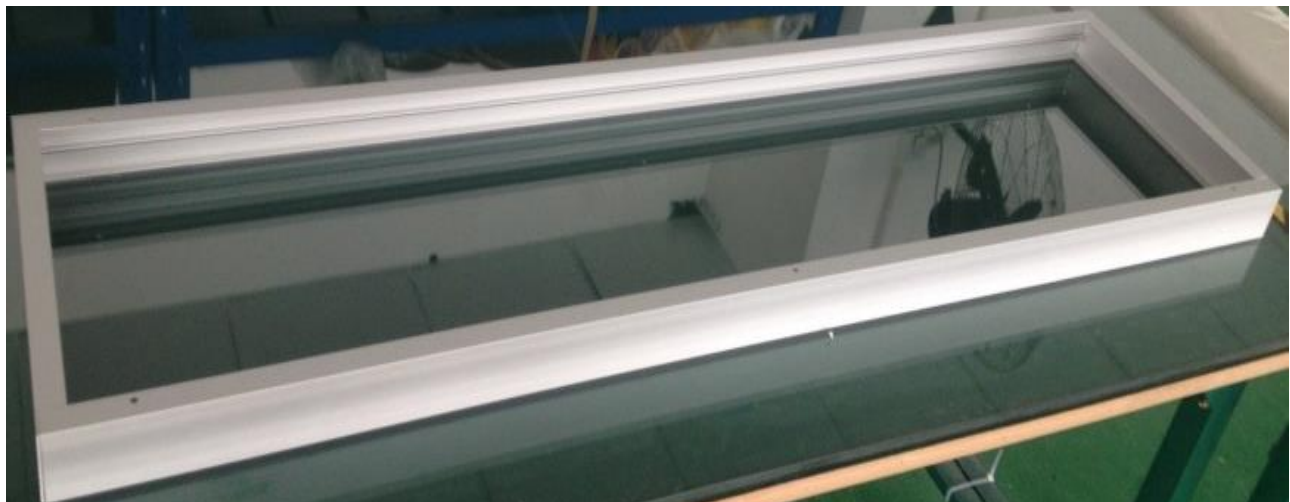
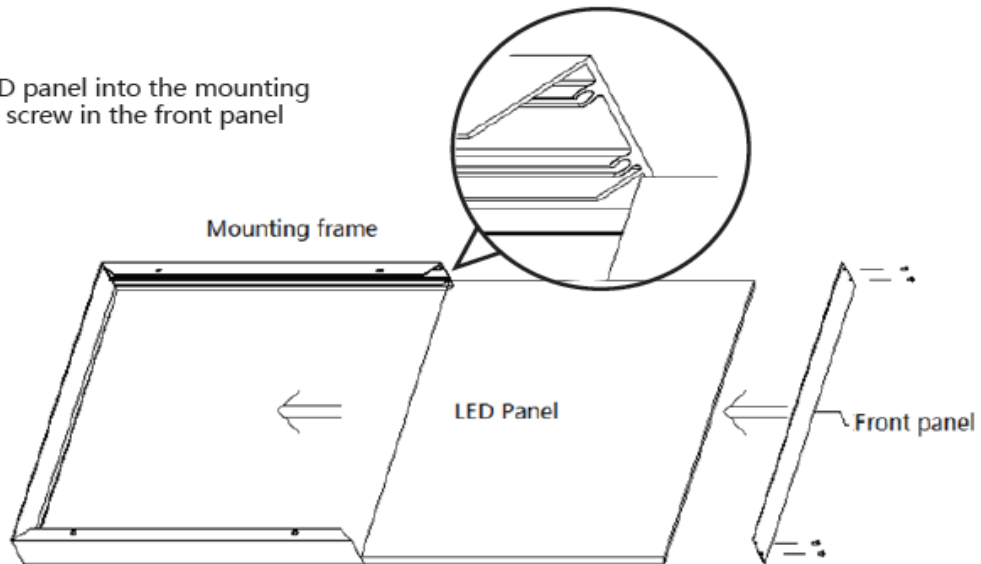
Backlit Panel Frame ----->  
Surface Mount Frame

2x2 - 24 1/2" X 24 1/2" X 3 1/8"  
2x4 - 24 1/2" X 47 13/16" X 3 1/8"

1. dis-assemble the front panel of the mounting frame and mount the frame into ceiling by setscrew.

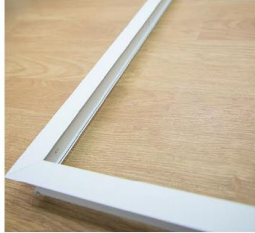


2. slide the LED panel into the mounting frame, then screw in the front panel



**Recess Mount Frame**

**LP-AP-RW22**  
**LP-AP-RW24**  
**LP-AP-RW14**



**1X4**  
**LP-AP-RW14**

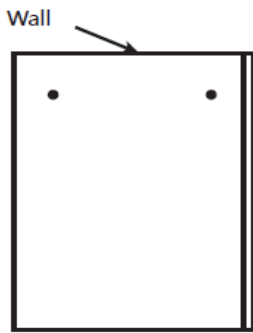


**2X2**  
**LP-AP-RW22**

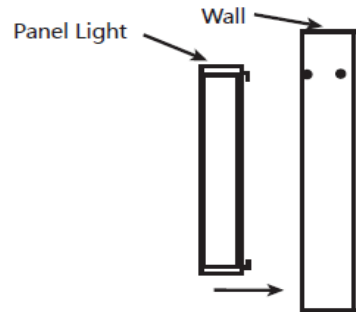


**2X4**  
**LP-AP-RW24**

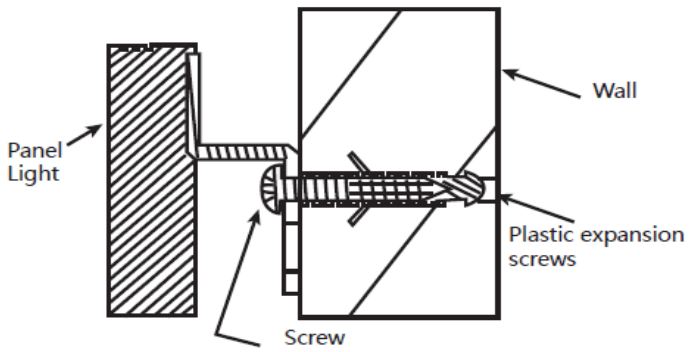
## Wall Mount



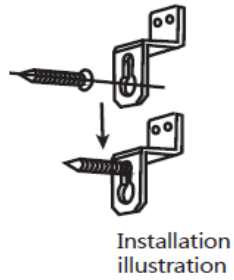
1. Nailing two plastic expansion screws and other screws into the wall according to the size shown in the illustration



2. Hanging the panel on the finished screws



3. This is the combining drawing for wall and panel, please make the installation according to this installation drawing.



4. Installation finished

