



DEEP ROOF LIGHTING INC.

55 Sea Cliff Avenue, Glen Cove, NY 11542

Tel: 516-676-9100, -9101, -9103, -9105, -9106

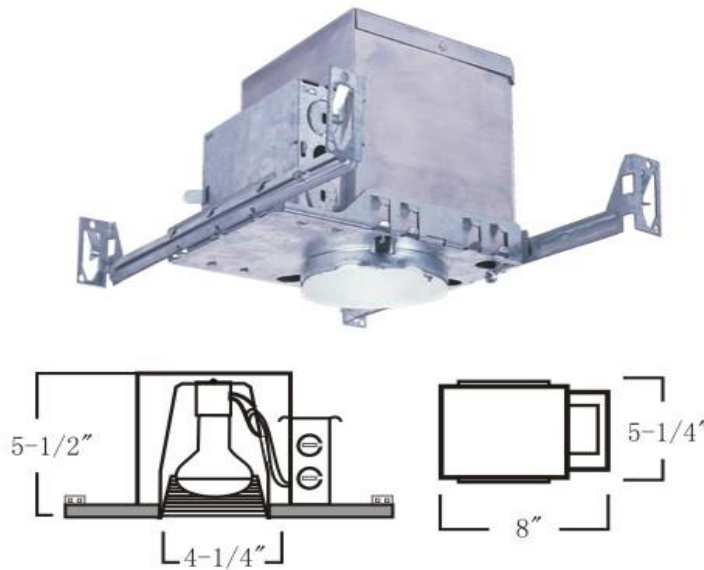
Fax: 516-676-9109

Web Site: www.deeprooflighting.com

Email: deeproof@aol.com

DN-04GU-ICAT : 4 " Line Volt, GU-10, New Construct, IC Air Tight

Lamp : GU-10 LED MR16 5-6 Watts and 6-7 Watts, Halogen
Base : GU-10



The DN-04GU-ICAT, double walled housing is for installation where the housing will be in direct contact with insulation.

Plaster Frame

Galvanized steel construction. The housing can be removed from plaster frame to provide access to the junction box

Junction Box

Listed for through branch circuit wiring

Contains seven 7/8" knockouts and four Romex plyouts with strain relief

Bar Hanger

Pre-installed Real nail easily installs in regular lumber, engineered lumber

Bar hangers are adjustable from 13-5/8" to 25" and can be repositioned 90 degree on plaster frame

Hangers fit onto T-Bar spline for quick alignment, can be permanently secured with optional T-Bar clip.

Thermal Protector

Self resetting thermal protector deactivates fixture if overheating occurs due to improper lamping or misapplied insulation

Listings

cUL Listed for Damp Location

cUL Listed for Feed Through

Certified under ASTM-E283 for Air tight construction