



**DEEP ROOF LIGHTING INC.**

**P.O. BOX 520191, FLUSHING, NY 11352**

**Tel: 718-243-9388, 718-243-1185, 718-243-1188, 718-637-6061**

**Fax: 718-243-9403, 718-321-1676**

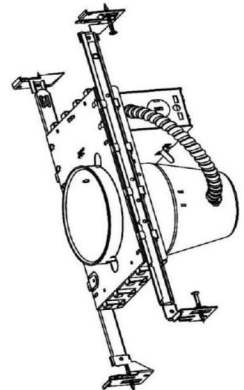
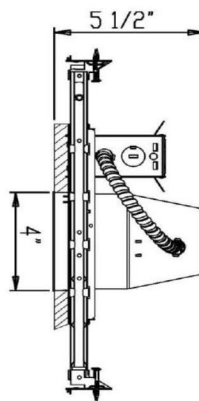
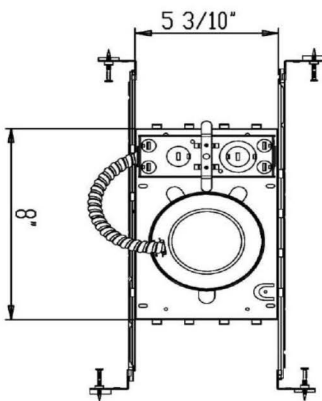
[Web Site: www.deeprooflighting.com](http://www.deeprooflighting.com)

[Email: deeproof@aol.com](mailto:deeproof@aol.com) [deeproof@verizon.net](mailto:deeproof@verizon.net) [deeproofgg@gmail.com](mailto:deeproofgg@gmail.com)

## **DN-04-GU: 4" Line Voltage, New Construction, Non-IC.**

**Lamp: GU10 Base MR16 LED 5,6,7 watts, Halogen 120V 50W MAX**

**Height: 5-1/2"**



The DN-04-GU is designed for use in non-insulated ceiling or for insulated ceiling but insulation must be kept 3" from all sides of the housing.

### **Plaster Frame**

Galvanized steel construction. The housing can be removed from plaster frame to provide access to the junction box.

### **Junction Box**

Listed for through branch circuit wiring.

Contains six 7/8" knockouts.

### **Bar Hanger**

Pre-installed Real nail easily installs in regular lumber, engineered lumber

Bar hangers are adjustable from 13-5/8" to 25" and can be repositioned 90 degree on plaster frame.

Hangers fit onto T-Bar spline for quick alignment, can be permanently secured with optional T-Bar clip.

### **Thermal Protector**

Self resetting thermal protector deactivates fixture if overheating occurs due to improper lamping or misapplied insulation.

### **Listings**

UL ETL Listed damp location



# DEEP ROOF LIGHTING INC.

55 Sea Cliff Avenue, Glen Cove, NY 11542

Tel: 516-676-9100, -9101, -9103, -9105, -9106

Fax: 516-676-9109

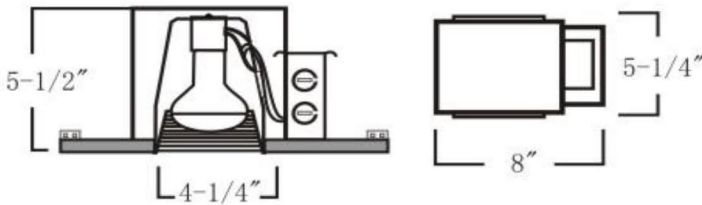
Web Site: [www.deeprooflighting.com](http://www.deeprooflighting.com)

Email: [deeproof@aol.com](mailto:deeproof@aol.com)

## DN-04GU-ICAT : 4 " Line Volt, GU-10, New Construct, IC Air Tight

Lamp : GU-10 LED MR16 5-6 Watts and 6-7 Watts, Halogen

Base : GU-10



The DN-04GU-ICAT, double walled housing is for installation where the housing will be in direct contact with insulation.

### Plaster Frame

Galvanized steel construction. The housing can be removed from plaster frame to provide access to the junction box

### Junction Box

Listed for through branch circuit wiring

Contains seven 7/8" knockouts and four Romex plyouts with strain relief

### Bar Hanger

Pre-installed Real nail easily installs in regular lumber, engineered lumber

Bar hangers are adjustable from 13-5/8" to 25" and can be repositioned 90 degree on plaster frame

Hangers fit onto T-Bar spline for quick alignment, can be permanently secured with optional T-Bar clip.

### Thermal Protector

Self resetting thermal protector deactivates fixture if overheating occurs due to improper lamping or misapplied insulation

### Listings

cUL Listed for Damp Location

cUL Listed for Feed Through

Certified under ASTM-E283 for Air tight construction



**DEEP ROOF LIGHTING INC.**

**P.O. BOX 520191, FLUSHING, NY 11352**

**Tel: 718-243-9388, 718-243-1185, 718-243-1188, 718-637-6061**

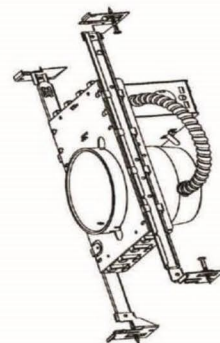
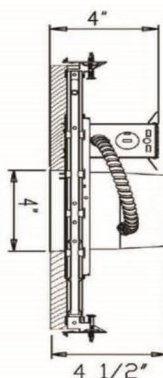
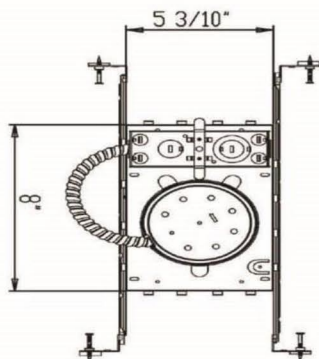
**Fax: 718-243-9403, 718-321-1676**

[Web Site: www.deeprooflighting.com](http://www.deeprooflighting.com)

[Email: deeproof@aol.com](mailto:deeproof@aol.com) [deeproof@verizon.net](mailto:deeproof@verizon.net) [deeproofgg@gmail.com](mailto:deeproofgg@gmail.com)

## **DN-04S-GU: 4" Line Voltage, Shallow New Construction, Non-IC.**

**Lamp: GU10 Base MR16 LED 5,6,7 watts, Halogen 120V 50W MAX**  
**Height: 4-1/2"**



The DN-04S-GU is designed for use in non-insulated ceiling or for insulated ceiling but insulation must be kept 3" from all sides of the housing.

### **Plaster Frame**

Galvanized steel construction. The housing can be removed from plaster frame to provide access to the junction box.

### **Junction Box**

Listed for through branch circuit wiring.  
Contains six 7/8" knockouts.

### **Bar Hanger**

Pre-installed Real nail easily installs in regular lumber, engineered lumber  
Bar hangers are adjustable from 13-5/8" to 25" and can be repositioned 90 degree on plaster frame.

Hangers fit onto T-Bar spline for quick alignment, can be permanently secured with optional T-Bar clip.

### **Thermal Protector**

Self resetting thermal protector deactivates fixture if overheating occurs due to improper lamping or misapplied insulation.

### **Listings**

UL ETL Listed damp location



**DEEP ROOF LIGHTING INC.**

**P.O. BOX 520191, FLUSHING, NY 11352**

**Tel: 718-243-9388, 718-243-1185, 718-243-1188, 718-637-6061**

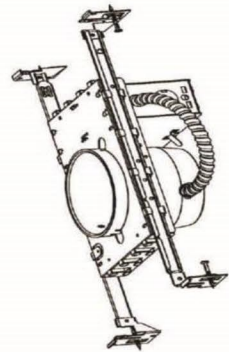
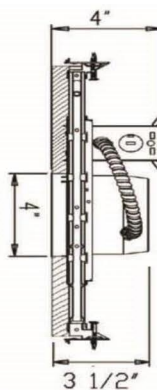
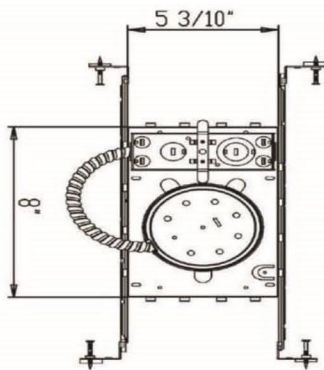
**Fax: 718-243-9403, 718-321-1676**

Web Site: [www.deeprooflighting.com](http://www.deeprooflighting.com)

Email: [deeproof@aol.com](mailto:deeproof@aol.com) [deeproof@verizon.net](mailto:deeproof@verizon.net) [deeproofgg@gmail.com](mailto:deeproofgg@gmail.com)

## **DN-04SS-GU: 4" Line Voltage, Super Shallow New Construction, Non-IC.**

**Lamp: GU10 Base MR16 LED 5,6 watts, Halogen 120V 50W MAX  
Height: 3-1/2"**



The DN-04S-GU is designed for use in non-insulated ceiling or for insulated ceiling but insulation must be kept 3" from all sides of the housing.

### **Plaster Frame**

Galvanized steel construction. The housing can be removed from plaster frame to provide access to the junction box.

### **Junction Box**

Listed for through branch circuit wiring.  
Contains six 7/8" knockouts.

### **Bar Hanger**

Pre-installed Real nail easily installs in regular lumber, engineered lumber  
Bar hangers are adjustable from 13-5/8" to 25" and can be repositioned 90 degree on plaster frame.

Hangers fit onto T-Bar spline for quick alignment, can be permanently secured with optional T-Bar clip.

### **Thermal Protector**

Self resetting thermal protector deactivates fixture if overheating occurs due to improper lamping or misapplied insulation.

### **Listings**

UL ETL Listed damp location



**DEEP ROOF LIGHTING INC.**

**P.O. BOX 520191, FLUSHING, NY 11352**

**Tel: 718-243-9388, 718-243-1185, 718-243-1188, 718-637-6061**

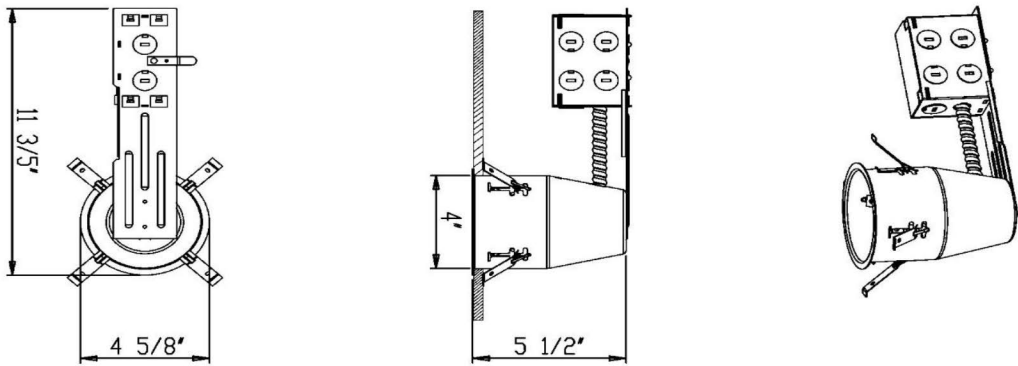
**Fax: 718-243-9403, 718-321-1676**

[Web Site: www.deeprooflighting.com](http://www.deeprooflighting.com)

[Email: deeproof@aol.com](mailto:deeproof@aol.com) [deeproof@verizon.net](mailto:deeproof@verizon.net) [deeproofgg@gmail.com](mailto:deeproofgg@gmail.com)

## **DN-05-GU: 4" Line Voltage, Remodel, Non-IC.**

**Lamp: GU10 Base MR16 LED 5,6,7 watts, Halogen 120V 50W MAX  
Height: 5-1/2"**



The DN-05-GU is designed for use in non-insulated ceiling or for insulated ceiling but insulation must be kept 3" from all sides of the housing.

### **Junction Box**

Listed for through branch circuit wiring.

Contains six 7/8" knockouts.

### **Remodel Clips**

Three remodel clips secure housing and accommodates 1/2" and 5/8" ceiling materials.

### **Support Spring**

Support Spring helps support weight of junction box and transformer.

Automatically adjuste for different ceiling materials.

### **Thermal Protector**

Self resetting thermal protector deactivates fixture if overheating occurs due to improper lamping or misapplied insulation.

### **Listings**

UL ETL Listed damp location



**DEEP ROOF LIGHTING INC.**

**P.O. BOX 520191, FLUSHING, NY 11352**

**Tel: 718-243-9388, 718-243-1185, 718-243-1188, 718-637-6061**

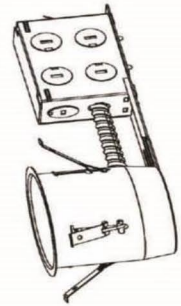
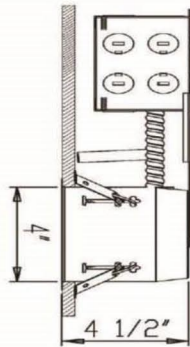
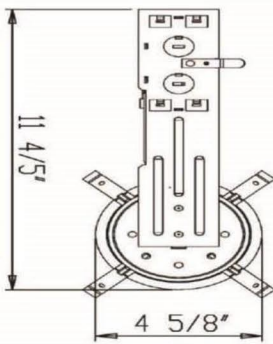
**Fax: 718-243-9403, 718-321-1676**

[Web Site: www.deeprooflighting.com](http://www.deeprooflighting.com)

[Email: deeproof@aol.com](mailto:deeproof@aol.com) [deeproof@verizon.net](mailto:deeproof@verizon.net) [deeproofgg@gmail.com](mailto:deeproofgg@gmail.com)

## **DN-05 S-GU: 4" Line Voltage, Shallow Remodel, Non-IC.**

**Lamp: GU10 Base MR16 LED 5,6,7 watts, Halogen 120V 50W MAX**  
**Height: 4-1/2"**



The DN-05S-GU is designed for use in non-insulated ceiling or for insulated ceiling but insulation must be kept 3" from all sides of the housing.

### **Junction Box**

Listed for through branch circuit wiring.

Contains six 7/8" knockouts.

### **Remodel Clips**

Three remodel clips secure housing and accommodates 1/2" and 5/8" ceiling materials.

### **Support Spring**

Support Spring helps support weight of junction box and transformer. Automatically adjust for different ceiling materials.

### **Thermal Protector**

Self resetting thermal protector deactivates fixture if overheating occurs due to improper lamping or misapplied insulation.

### **Listings**

UL ETL Listed damp location



**DEEP ROOF LIGHTING INC.**

**P.O. BOX 520191, FLUSHING, NY 11352**

**Tel: 718-243-9388, 718-243-1185, 718-243-1188, 718-637-6061**

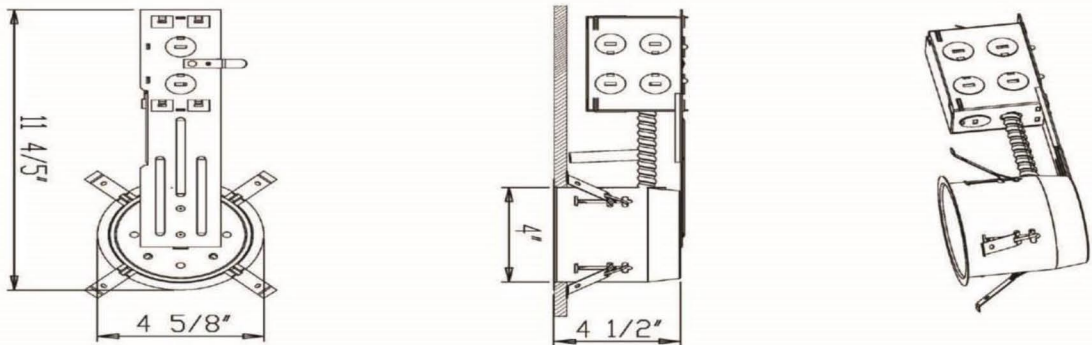
**Fax: 718-243-9403, 718-321-1676**

[Web Site: www.deeprooflighting.com](http://www.deeprooflighting.com)

[Email: deeproof@aol.com](mailto:deeproof@aol.com) [deeproof@verizon.net](mailto:deeproof@verizon.net) [deeproofgg@gmail.com](mailto:deeproofgg@gmail.com)

## **DN-05SS-GU: 4" Line Voltage, Super Shallow Remodel, Non-IC.**

**Lamp: GU10 Base MR16 LED 5,6 watts, Halogen 120V 50W MAX**  
**Height: 3-1/2"**



The DN-05S-GU is designed for use in non-insulated ceiling or for insulated ceiling but insulation must be kept 3" from all sides of the housing.

### **Junction Box**

Listed for through branch circuit wiring.

Contains six 7/8" knockouts.

### **Remodel Clips**

Three remodel clips secure housing and accommodates 1/2" and 5/8" ceiling materials.

### **Support Spring**

Support Spring helps support weight of junction box and transformer. Automatically adjuste for different ceiling materials.

### **Thermal Protector**

Self resetting thermal protector deactivates fixture if overheating occurs due to improper lamping or misapplied insulation.

### **Listings**

UL ETL Listed damp location

# TRIMS FOR 4" MR16 LOW AND LINE VOLTAGE HOUSINGS

TRIMS FOR 4" MR16 LOW AND LINE VOLTAGE HOUSINGS



DLT 1 B  
Black Baffle  
White Ring  
MR16



DLT 1 BG  
Black Baffle  
Gold Ring  
MR16



DLT 1 BC  
Black Baffle  
Chrome Ring  
MR16



DLT 1 BS  
Black Baffle  
Satin Nickel Ring  
MR16



DLT 1 W  
White Baffle  
White Ring  
MR16



DLT 1 WG  
White Baffle  
Gold Ring  
MR16



DLT 1 WC  
White Baffle  
Chrome Ring  
MR16



DLT 1 WS  
White Baffle  
Satin Nickel Ring  
MR16



DLT 2 C  
Chrome Reflector  
White Ring  
MR16



DLT 2 CG  
Chrome Reflector  
Gold Ring  
MR16



DLT 2 CC  
Chrome Reflector  
Chrome Ring  
MR16



DLT 2 CS  
Chrome Reflector  
Satin Nickel Ring  
MR16



DLT 2 G Aluminum  
Gold Reflector  
White Ring  
MR16



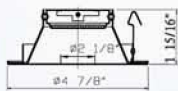
DLT 2 GG  
Gold Reflector  
Gold Ring  
MR16



DLT 2 GC  
Gold Reflector  
Chrome Ring  
MR16



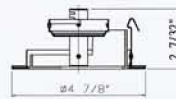
DLT 2 GS  
Gold Reflector  
Satin Nickel Ring  
MR16



DLT 3 W  
Slot Aperture  
White  
MR16



DLT 5 WB  
White Pin Hole  
Black Baffle  
MR16



DLT 5 WC  
White Pin Hole  
Chrome Reflector  
MR16



DLT 4 WB  
White Eyeball  
Black Baffle  
MR16



DLT 4 GB  
Gold Eyeball  
Black Baffle  
MR16



DLT 4 CB  
Chrome Eyeball  
Black Baffle  
MR16



# TRIMS FOR 4" MR16 LOW AND LINE VOLTAGE HOUSINGS

TRIMS FOR 4" MR16 LOW AND LINE VOLTAGE HOUSINGS



DLT 6 W  
Die Cast Flatball  
White  
MR16



DLT 6 B  
Die Cast Flatball  
Black  
MR16



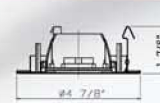
DLT 6 G  
Die Cast Flatball  
Gold  
MR16



DLT 6 C  
Die Cast Flatball  
Chrome  
MR16



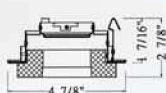
DLT 6 SN  
Die Cast Flatball  
Satin Nickel  
MR16



DLT 7 F  
Drop Flat Glass  
Frost White  
MR16



DLT 7 BU  
Drop Flat Glass  
Blue  
MR16



DLT 9 WB  
Black Baffle  
MR16



DLT 9 WW  
White Wall Wash  
White Baffle  
MR16



DLT 81 W  
Square Adjustable  
White  
MR16



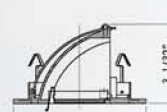
DLT 81 B  
Square Adjustable  
Black  
MR16



DLT 81 G  
Square Adjustable  
Gold  
MR16



DLT 81 SN  
Square Adjustable  
Satin Nickel  
MR16



DLT 82 W  
Round Adjustable  
White  
MR16



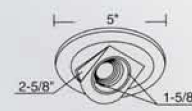
DLT 82 B  
Round Adjustable  
Black  
MR16



DLT 82 G  
Round Adjustable  
Gold  
MR16



DLT 82 C  
Round Adjustable  
Chrome  
MR16



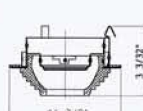
DLT 83 W  
Step Glass  
White Frost  
MR16



DLT 83 BU  
Step Glass  
Blue Frost  
MR16



DLT 83 P  
Step Glass  
Pink  
MR16



DLT 424SN  
Square  
Satin Nickel  
MR16



DLT 424W  
Square  
White  
MR16



DLT 84 A  
Frost Glass Panel  
White Reflector  
MR16



DLT 84 D  
Drop Frost Glass  
White Reflector  
MR16



DLT 84 F  
Fresnel glass shower  
White Reflector  
MR16



# TRIMS FOR 4" MR16 LOW AND LINE VOLTAGE HOUSINGS

TRIMS FOR 4" MR16 LOW AND LINE VOLTAGE HOUSINGS



DLT 85 W  
Regressed  
White Eyeball  
White Baffle  
MR16



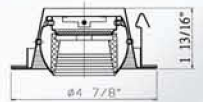
DLT 85 GB  
Regressed  
Gold Eyeball  
Black Baffle  
MR16



DLT 85 C  
Regressed  
Chrome Eyeball  
Chrome Reflector  
MR16



DLT 85 G  
Regressed  
Gold Eyeball  
Gold Reflector  
MR16



DLT 86 WB  
White Gimbal  
Black Baffle  
MR16



DLT 86 WW  
White Gimbal  
White Baffle  
MR16



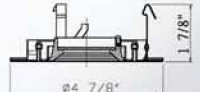
DLT 86 CB  
Chrome Gimbal  
Black Baffle  
MR16



DLT 86 GB  
Gold Gimbal  
Black Baffle  
MR16



DLT 86 SN  
Satin Nickel Gimbal  
Black Baffle  
MR16



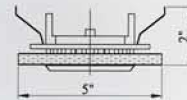
DLT 87 G  
Round Acrylic  
Gold Drop  
MR16



DLT 87 C  
Round Acrylic  
Chrome Drop  
MR16



DLT 87 SN  
Round Acrylic  
Satin Nickel Drop  
MR16



DLT 88 G  
Octagonal Acrylic  
Gold Drop  
MR16



DLT 88 C  
Octagonal Acrylic  
Chrome Drop  
MR16



DLT 88 SN  
Octagonal Acrylic  
Satin Nickel Drop  
MR16

