

# T8 STRIP LIGHTS - FLUORESCENT & LED

## T8 Open Strip, Closure Strip, Wrap Strip -- For Fluorescent and LED T8 tubes --

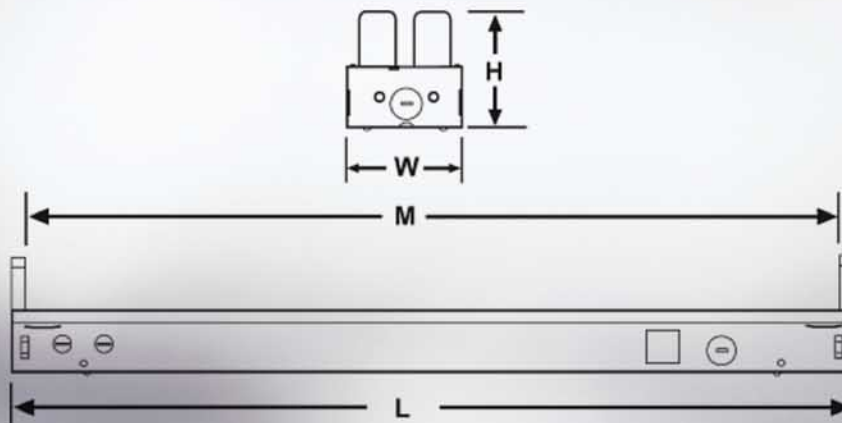
**Open Strip :**  
**4 Feet**



### PRODUCT FEATURES

- Heavy-duty 20-gauge steel utilized through out for durability body and code compliance.
- All welded assembly and post painted for maximum operating life.
- Pretreated with five-stage iron phosphate process ensures superior paint adhesion.
- Painted high-gloss baked white enamel.
- Shallow design ideal for commercial and industrial spaces requiring general illumination.
- Suitable for dry and damp environments.
- Thermally protected, self re-setting, Class P, NPF, non-PCB and UL & CEE Listed ballast.
- Suitable for surface mounting.
- Individual or continuous row mounting.
- Light weight design enables easier installation and increases worker productivity.

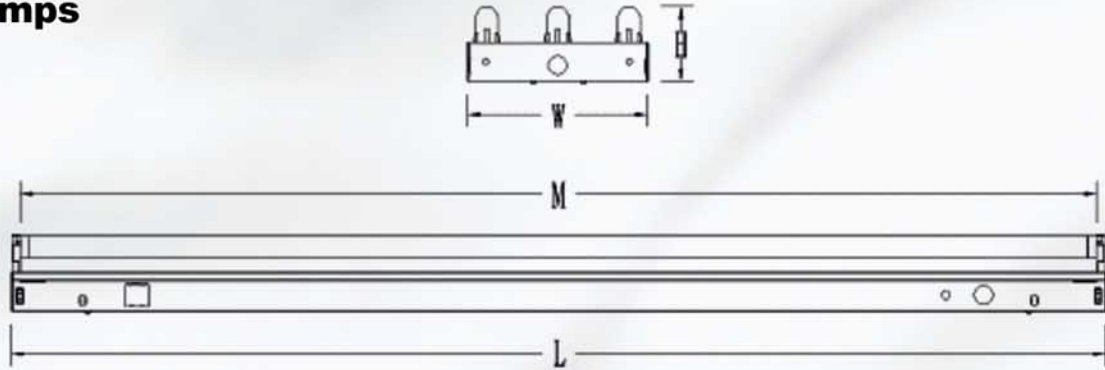
**2 Lamps**



UNITS	M	L	W	H
INCHES	47 1/2"	48"	4"	3 1/4"
TOL(+/-)	0.05	0.05	0.05	0.05

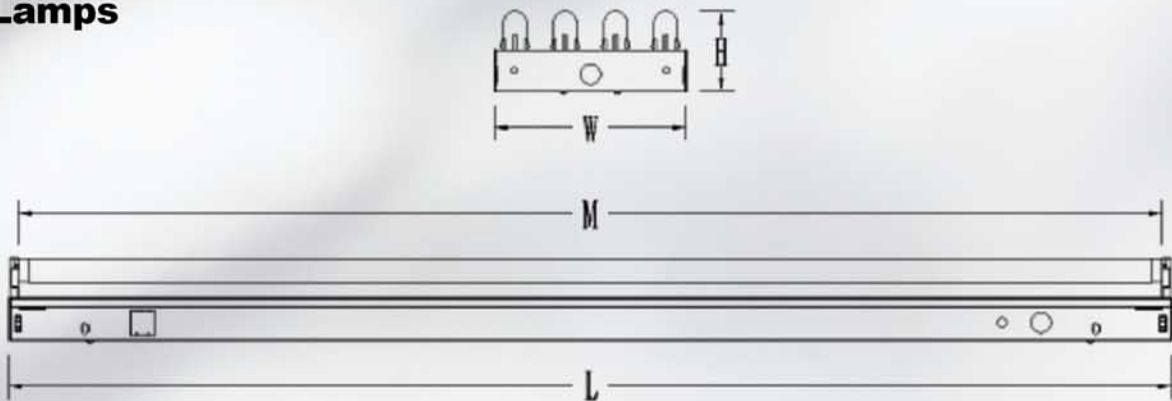
# T8 STRIP LIGHTS - FLUORESCENT & LED

## 3 Lamps



UNITS	M	L	W	H
INCHES	47 1/2"	48"	8"	3 1/4"
TOL(+/-)	0.05	0.05	0.05	0.05

## 4 Lamps



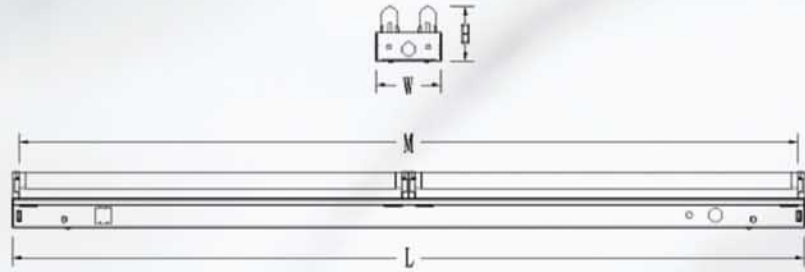
UNITS	M	L	W	H
INCHES	47 1/2"	48"	8"	3 1/4"
TOL(+/-)	0.05	0.05	0.05	0.05

## ITEM CODES

- FOL42W Open 4 feet, 2 lamps, For LED - No Ballast, White
- FOL43W Open 4 feet, 3 lamps, For LED - No Ballast, White
- FOL44W Open 4 feet, 4 lamps, For LED - No Ballast, White
- FOF42W-HB Open 4 feet, 2 lamps, For fluorescent T8, HPF ballast, White
- FOF43W-HB Open 4 feet, 3 lamps, For fluorescent T8, HPF ballast, White
- FOF44W-HB Open 4 feet, 4 lamps, For fluorescent T8, HPF ballast, White
- FOF42W-NB Open 4 feet, 2 lamps, For fluorescent T8, NPF ballast, White
- FOF43W-NB Open 4 feet, 3 lamps, For fluorescent T8, NPF ballast, White
- FOF44W-NB Open 4 feet, 4 lamps, For fluorescent T8, NPF ballast, White
- FOF42W-D Open 4 feet, 2 lamps, For fluorescent T8, Dimming HPF ballast, White
- FOF43W-D Open 4 feet, 3 lamps, For fluorescent T8, Dimming HPF ballast, White
- FOF44W-D Open 4 feet, 4 lamps, For fluorescent T8, Dimming HPF ballast, White

# T8 STRIP LIGHTS - FLUORESCENT & LED

## 8 Feet 4 Lamps



UNITS	M	L	W	H
INCHES	95 1/2"	96"	4"	3 1/4"
TOL(+/-)	0.05	0.05	0.05	0.05

## 6 Lamps



UNITS	M	L	W	H
INCHES	95 1/2"	96"	8"	3 1/4"
TOL(+/-)	0.05	0.05	0.05	0.05



## 8 Lamps



UNITS	M	L	W	H
INCHES	95 1/2"	96"	8"	3 1/4"
TOL(+/-)	0.05	0.05	0.05	0.05



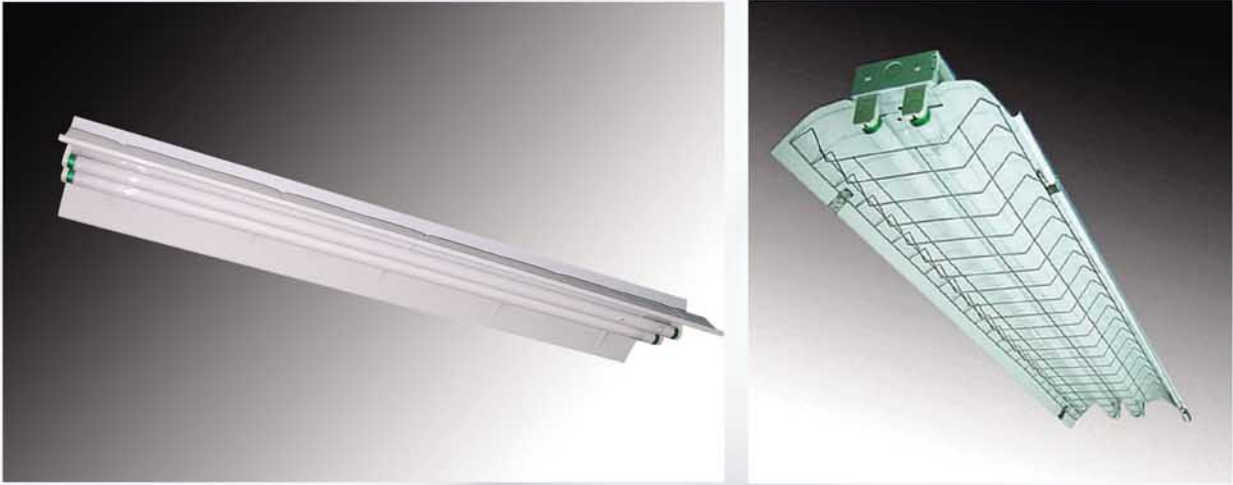
## ITEM CODES

FOL84W	Open 8 feet, 4 lamps, For LED - No Ballast, White
FOL86W	Open 8 feet, 6 lamps, For LED - No Ballast, White
FOL88W	Open 8 feet, 8 lamps, For LED - No Ballast, White
FOF84W-HB	Open 8 feet, 4 lamps, For fluorescent T8, HPF ballast, White
FOF86W-HB	Open 8 feet, 6 lamps, For fluorescent T8, HPF ballast, White
FOF88W-HB	Open 8 feet, 8 lamps, For fluorescent T8, HPF ballast, White
FOF84W-NB	Open 8 feet, 4 lamps, For fluorescent T8, NPF ballast, White
FOF86W-NB	Open 8 feet, 6 lamps, For fluorescent T8, NPF ballast, White
FOF88W-NB	Open 8 feet, 8 lamps, For fluorescent T8, NPF ballast, White
FOF84W-D	Open 8 feet, 4 lamps, For fluorescent T8, Dimming HPF ballast, White
FOF86W-D	Open 8 feet, 6 lamps, For fluorescent T8, Dimming HPF ballast, White
FOF88W-D	Open 8 feet, 8 lamps, For fluorescent T8, Dimming HPF ballast, White



# T8 STRIP LIGHTS - FLUORESCENT & LED

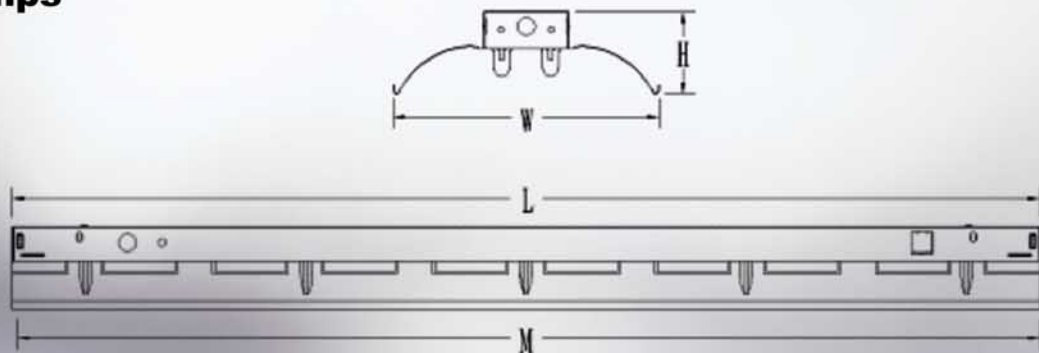
## Closure Strip : 4 Feet



### PRODUCT FEATURES

- Heavy-duty 20-gauge steel utilized through out for durability body and code compliance.
- All welded assembly and post painted for maximum operating life.
- Pretreated with five-stage iron phosphate process ensures superior paint adhesion.
- Painted high-gloss baked white enamel.
- Shallow design ideal for commercial and industrial spaces requiring general illumination.
- Suitable for dry and damp environments.
- Thermally protected, self re-setting, Class P, NPF, non-PCB and UL & CEE Listed ballast.
- Suitable for surface mounting.
- Individual or continuous row mounting.
- Light weight design enables easier installation and increases worker productivity.

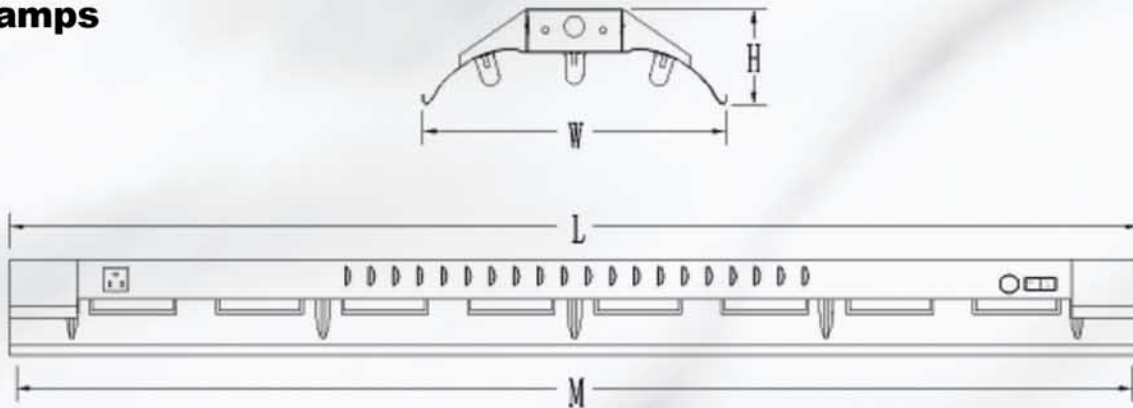
### 2 Lamps



UNITS	M	L	W	H
INCHES	47 1/2"	48"	12"	4"
TOL(+/-)	0.05	0.05	0.05	0.05

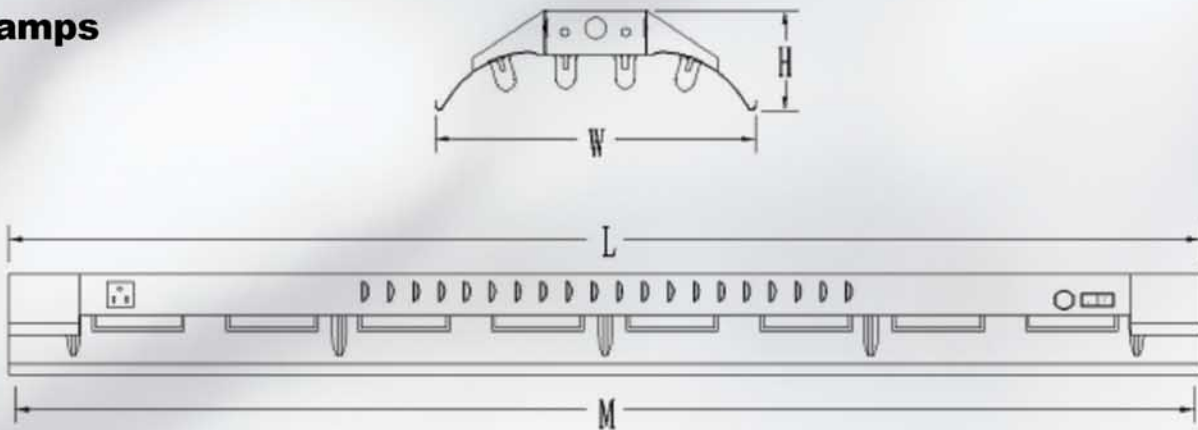
# T8 STRIP LIGHTS - FLUORESCENT & LED

## 3 Lamps



UNITS	M	L	W	H
INCHES	47 1/2"	48"	12"	4"
TOL(+/-)	0.05	0.05	0.05	0.05

## 4 Lamps



UNITS	M	L	W	H
INCHES	47 1/2"	48"	12"	4"
TOL(+/-)	0.05	0.05	0.05	0.05

## ITEM CODES

FCL42W	Closure 4 feet, 2 lamps,	For LED - No Ballast, White
FCL43W	Closure 4 feet, 3 lamps,	For LED - No Ballast, White
FCL44W	Closure 4 feet, 4 lamps,	For LED - No Ballast, White
FCF42W-HB	Closure 4 feet, 2 lamps,	For fluorescent T8, HPF ballast, White
FCF43W-HB	Closure 4 feet, 3 lamps,	For fluorescent T8, HPF ballast, White
FCF44W-HB	Closure 4 feet, 4 lamps,	For fluorescent T8, HPF ballast, White
FCF42W-NB	Closure 4 feet, 2 lamps,	For fluorescent T8, NPF ballast, White
FCF43W-NB	Closure 4 feet, 3 lamps,	For fluorescent T8, NPF ballast, White
FCF44W-NB	Closure 4 feet, 4 lamps,	For fluorescent T8, NPF ballast, White
FCF42W-D	Closure 4 feet, 2 lamps,	For fluorescent T8, Dimming HPF ballast, White
FCF43W-D	Closure 4 feet, 3 lamps,	For fluorescent T8, Dimming HPF ballast, White
FCF44W-D	Closure 4 feet, 4 lamps,	For fluorescent T8, Dimming HPF ballast, White



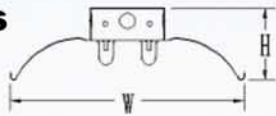
# T8 STRIP LIGHTS - FLUORESCENT & LED

## Closure Strip : 8 Feet

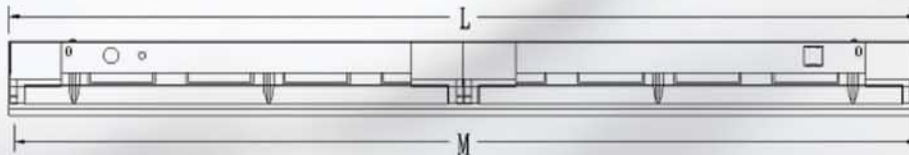


\*\*\* Pictures for reference only, We supply 8 feet fixtures on 4 feet lamps now, cascade 2 of 4 feet lamps

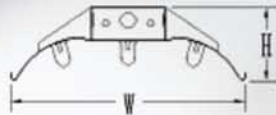
### 4 Lamps



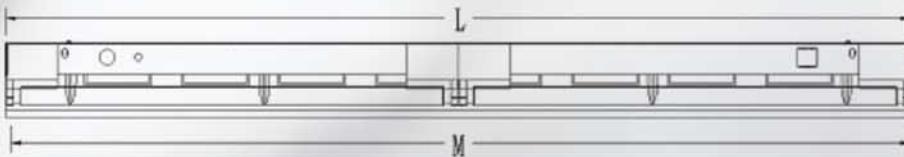
UNITS	M	L	W	H
INCHES	95 1/2"	96"	12"	4"
TOL(+/-)	0.05	0.05	0.05	0.05



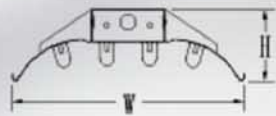
### 6 Lamps



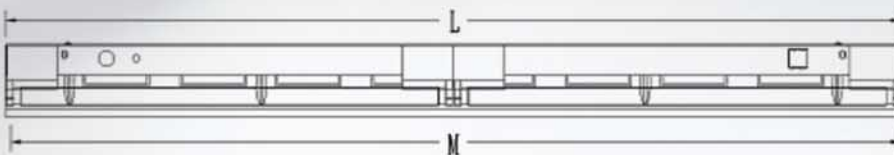
UNITS	M	L	W	H
INCHES	95 1/2"	96"	12"	4"
TOL(+/-)	0.05	0.05	0.05	0.05



### 8 Lamps



UNITS	M	L	W	H
INCHES	95 1/2"	96"	12"	4"
TOL(+/-)	0.05	0.05	0.05	0.05



## ITEM CODES

FCL84W	Closure 8 feet, 4 lamps, For LED - No Ballast, White
FCL86W	Closure 8 feet, 6 lamps, For LED - No Ballast, White
FCL88W	Closure 8 feet, 8 lamps, For LED - No Ballast, White
FCF84W-HB	Closure 8 feet, 4 lamps, For fluorescent T8, HPF ballast, White
FCF86W-HB	Closure 8 feet, 6 lamps, For fluorescent T8, HPF ballast, White
FCF88W-HB	Closure 8 feet, 8 lamps, For fluorescent T8, HPF ballast, White
FCF84W-NB	Closure 8 feet, 4 lamps, For fluorescent T8, NPF ballast, White
FCF86W-NB	Closure 8 feet, 6 lamps, For fluorescent T8, NPF ballast, White
FCF88W-NB	Closure 8 feet, 8 lamps, For fluorescent T8, NPF ballast, White
FCF84W-D	Closure 8 feet, 4 lamps, For fluorescent T8, Dimming HPF ballast, White
FCF86W-D	Closure 8 feet, 6 lamps, For fluorescent T8, Dimming HPF ballast, White
FCF88W-D	Closure 8 feet, 8 lamps, For fluorescent T8, Dimming HPF ballast, White

# T8 STRIP LIGHTS - FLUORESCENT & LED

## Wrap Around Strip :



### PRODUCT FEATURES

Heavy-duty 20-gauge steel utilized through out for durability body and code compliance.

All welded assembly and post painted for maximum operating life.

Pretreated with five-stage iron phosphate process ensures superior paint adhesion.

Painted high-gloss baked white enamel.

Shallow design ideal for commercial and industrial spaces requiring general illumination.

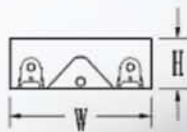
Suitable for dry and damp environments.

Thermally protected, self re-setting, Class P, NPF, non-PCB and UL & CEE Listed ballast.

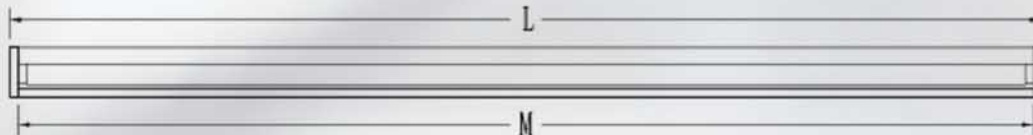
Suitable for surface mounting.

Light weight design enables easier installation and increases worker productivity.

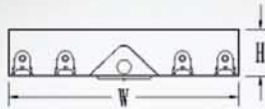
### 2 Lamps



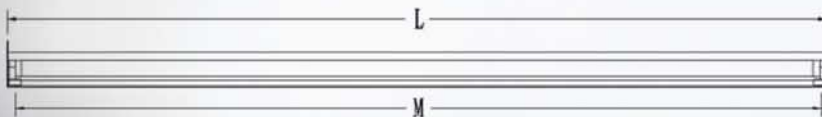
UNITS	M	L	W	H
INCHES	47 1/2"	48"	7"	2 1/2"
TOL(+/-)	0.05	0.05	0.05	0.05



### 4 Lamps



UNITS	M	L	W	H
INCHES	47 1/2"	48"	11"	2 1/2"
TOL(+/-)	0.05	0.05	0.05	0.05



### ITEM CODES

FRL42W	Wrap 4 feet, 2 lamps, For LED - No Ballast, White
FRL44W	Wrap 4 feet, 4 lamps, For LED - No Ballast, White
FRF42W-HB	Wrap 4 feet, 2 lamps, For fluorescent T8, HPF ballast, White
FRF44W-HB	Wrap 4 feet, 4 lamps, For fluorescent T8, HPF ballast, White
FRF42W-NB	Wrap 4 feet, 2 lamps, For fluorescent T8, NPF ballast, White
FRF44W-NB	Wrap 4 feet, 4 lamps, For fluorescent T8, NPF ballast, White
FRF42W-D	Wrap 4 feet, 2 lamps, For fluorescent T8, Dimmable HPF ballast, White
FRF44W-D	Wrap 4 feet, 4 lamps, For fluorescent T8, Dimmable HPF ballast, White