



Deep Roof Lighting P-series 7P5C back lite panel

UL DLC premium - 7 powers 5 colors switchable

Construction

- 27-gauge(0.4mm) metal sheet housing with powder coated finish
- Housing is absent of holes to resist debris/bug intrusion
- Aluminum Frame In White Finish

LED CHARACTERISTICS

- LED's available in 3000K /3500K/4000K/5000K/6500K,CRI>80.
- 1CC/2CCT/3CCT/4CCT/5CCT Adjustable options
- Lifespan 60,000-hour LED lifespan based on IES LM-80 results and TM-21 calculations

OPTICS

- Polystyrene Lenses Over LEDs, PS Diffuser
- UL 94-V0 flame retardant grade

Mounting and installation

- Recessed in T-bar grid ceiling with integral earthquake clips for secure attachment
- Surface mount and suspension mount cable kit accessories available

Compliance

- UL Listed
- TM-21 Projected L70 life >50,000 hours
- LM-79, LM-80 testing performed in accordance with IESNA standards.
- DesignLights Consortium® Qualified and classified for DLC Premium

Electrical

- 3 Powers / 7 Powers Selectable Option
- Power Factor: > 0.9 nominal
- Input Power: Stays constant over life
- Input Voltage: 120-277V, 120-347V, 50/60Hz
- Operating Temperature Range: -4°F ~ 104°F
- Total Harmonic Distortion: <20%
- DC: 12V DC 200ma Option

Emergency Battery

- Optional 120-277V/347V Integral Emergency Battery pack available in 8W or 15W
- 90-minute backup period for code compliance
- Test switch with laser pointer allows safe testing from floor

Integrated Controls

- Dimming: 0%-100% (Varies by controller)
- Sensor: Microwave Sensor / PIR Sensor, Daylight or Daylight Harvest Options

Warranty

- Five-year Limited Warranty.

Project:	Qty:
Type:	Catalog #:
Comments:	
Approved by:	Date:



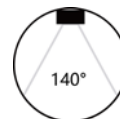
2' x 4'



2' x 2'



1' x 4'



The LED Backlit Panel provides soft, even illumination for recessed T-grid ceiling applications. The latest in panel design, backlit panels provide more diffused illumination on the lens and are more efficient in lighting a space. CCT Adjustable and Wattage Adjustable ensure the right product is available for any application.

APPLICATIONS

- Office
- Retail
- Hotels
- Municipal
- Showrooms
- Hospitals & Clinics
- Commercial
- Schools & Universities
- Assisted Living Facilities

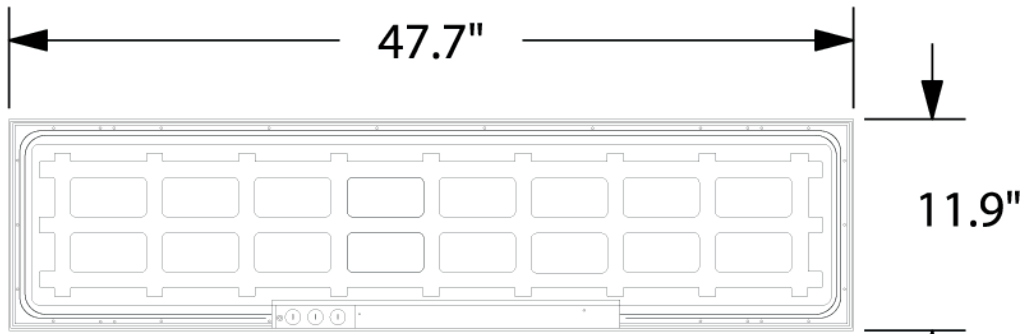
Order Information

(-P1 for 120-277 VAC input, -P2 for 120-347 VAC input)

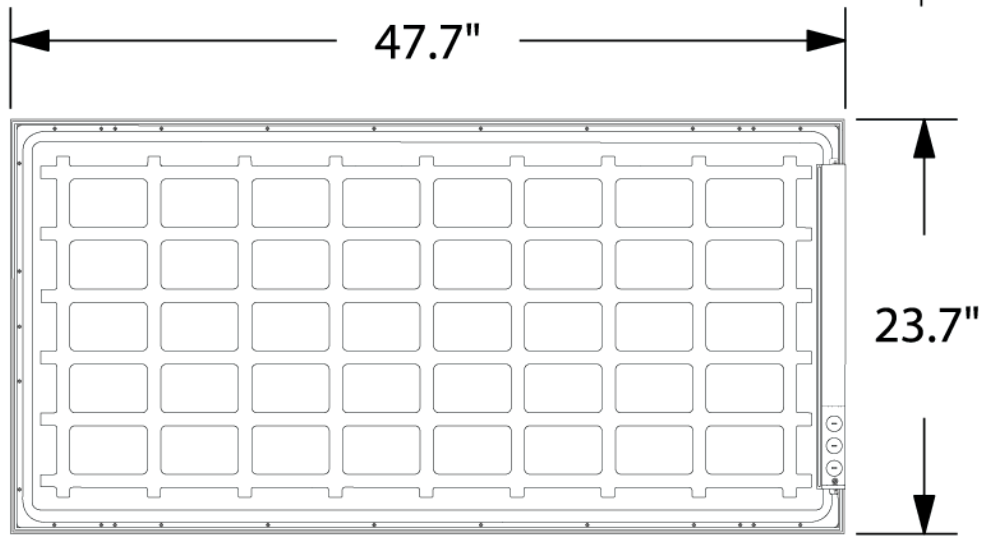
Size	Part No.	Power	Input Voltage	Luminous Efficacy	Luminous Flux	CCT
1x4	LP14-WP123-D345-(P1/P2)	15W/20W/30W Adjustable	120-277V 120-347V	128lm/W	3840lm	1CCT/2CCT/3CCT Adjustable
	LP14-WP234-D345-(P1/P2)	20W/30W/40W Adjustable			5120lm	
	LP14-WP-7P5C-(P1/P2)	15W 20W 25W 30W 35W 40W 50W 7 Power Adjustable			6400lm	1CCT/2CCT/3CCT 5CCT Adjustable
2x2	LP22-WP123-D345-(P1/P2)	15W/20W/30W Adjustable	120-277V 120-347V	128lm/W	3840lm	1CCT/2CCT/3CCT Adjustable
	LP22-WP234-D345-(P1/P2)	20W/30W/40W Adjustable			5120lm	
	LP22-WP-7P5C-(P1/P2)	15W 20W 25W 30W 35W 40W 50W 7 Power Adjustable			6400lm	1CCT/2CCT/3CCT 5CCT Adjustable
2x4	LP24-WP234-D345-(P1/P2)	25W/30W/40W Adjustable	120-277V 120-347V	128lm/W	5120lm	1CCT/2CCT/3CCT Adjustable
	LP24-WP345-D345-(P1/P2)	30W/40W/50W Adjustable			6400lm	
	LP24-WP567-D345-(P1/P2)	50W/60W/70W Adjustable			8960lm	
	LP24-WP-7P5CA-(P1/P2)	18W 25W 30W 35W 40W 45W 50W 7 Power Adjustable			6400lm	1CCT/2CCT/3CCT 5CCT Adjustable
	LP24-WP-7P5CB-(P1/P2)	20W 25W 30W 40W 50W 60W 70W 7 Power Adjustable			8960lm	

Dimension

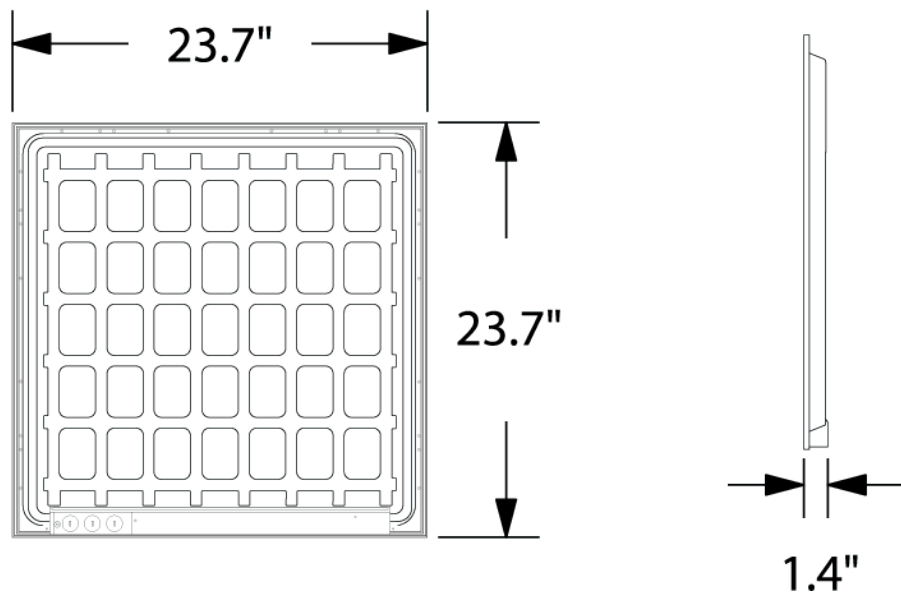
1X4



2X4

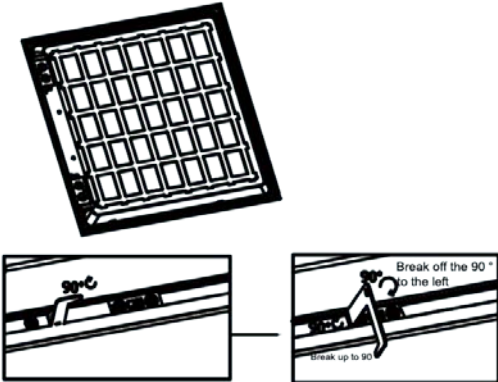


2X2



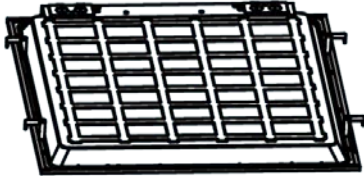
Installation Instruction

1



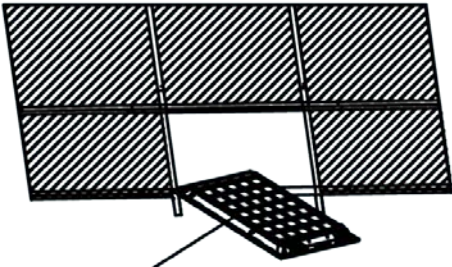
1.Remove the original ceiling tile for the backlit LED panel.

2



2.Turn off the electrical power then connect with L/N/GND wire leads.

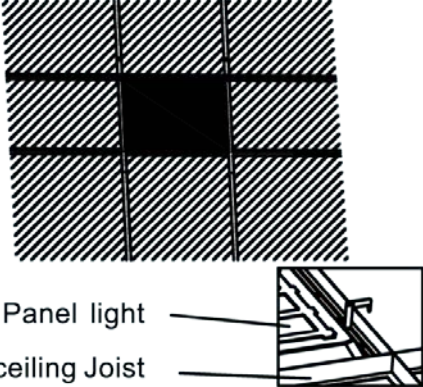
3



LED Panel light

3.Use the protective brackets for safety.

4



LED Panel light
ceiling Joist

4.Adjusted appropriate location in the T bar.

Packing / weight

Size	Outer box (L*W*H)	Qty/Ctn (pcs)	G.W/Ctn (lbs)	Container 20GP(pcs)	Container 40HQ(pcs)	Container 45HQ(pcs)
1x4'	50" x 7.5" x 14.2"	4	28.00	1436	3488	4000
2x2'	26" x 7.5" x 26"	4	26.10	1512	3674	4220
2x4'	50" x 7.5" x 26"	4	44.30	776	1888	2168

Warranty

This product has a warranty of period of 5 years from the date of purchase. The warranty is invalid in the case of improper use, installation, tampering or removal of the Q.C. and/or date label, usage in improper working environment or installation not according to the current edition of the National Electric Code. Should this product fail during the warranty period it will be replaced free of charge, subject to correct installation and return of the faulty unit. Manufacturer does not accept responsibility for any installation costs associated with the replacement of this product. This warranty is in addition to the statutory rights in your country of purchase. Manufacturer reserves the right to alter specifications without prior notice.

Note

- 1.The installation and maintenance must be completed by electricians or professionals.
- 2.Please cut off the power before installation and maintenance.
- 3.The thermally insulating material is not allowed to cover the fixture.
- 4.Please keep away from the corrosive substance, and keep the fixture dry and clean.
- 5.Working temperature: -4°F~104°F, storage temperature: -22°F~140°F.