



DEEP ROOF LIGHTING INC.
55 Sea Cliff Avenue, Glen Cove, NY 11542
P.O. Box 520191, Flushing, NY 11352
Tel: 516-676-9100, 9101, 9103, 9105, 9106
Fax: 516-676-9109

Web Site: www.deeprooflighting.com

Email: deeproof@aol.com jay@deeprooflighting.com

UFO High Bay K-series

ETL DLC



Microwave



- ⇒ Efficacy: Up to 160 lm/w
- ⇒ LED Chip: LUMILEDS
- ⇒ SDCM: <5
- ⇒ Beam Angle: 60°/90°/120° PC lens
- ⇒ IP Rating: IP65
- ⇒ Controls: Microwave sensor(optional)
- ⇒ Installation: Eye Bolt/Bracket



| SKU | LHBO-K100 | LHBO-K150 | LHBO-K200 |
|-------------------|-------------------------------|-----------|-----------|
| Wattage | 100W | 150W | 200W |
| Lumen Output | 16,000 lm | 24,000 lm | 32,000 lm |
| Luminous Efficacy | 160 lm/w | | |
| CCT | 3000K/4000K/5000K/5700K/6500K | | |
| CRI | Ra≥70 (Ra≥80 optional) | | |
| Input Voltage | 100-277 VAC | | |

ITEM CODES

LHBO-K100-D(40/50)-D1-(W)

LHBO-K150-D(40/50)-D1-(W)

LHBO-K200-D(40/50)-D1-(W)

LHBO-K-PCR1

LHBO-K-PCR1-BC

LHBO-K-PCR1A

LHBO-K-PCR1A-BC

LHBO-K-PCR2

LHBO-K-PCR2-BC

LHBO-K-PCR2A

LHBO-K-PCR2A-BC

LHBO-K-OS

LHBO-K-RH

LHBO-K-ZJ

LHBO-K-SSC

LHBO-K-ROP

100W, Φ308mm, 4000/5000K, Dimm 0-10 VDC, BK/WH

150W, Φ308mm, 4000/5000K, Dimm 0-10 VDC, BK/WH

200W, Φ405mm, 4000/5000K, Dimm 0-10 VDC, BK/WH

PC clear cone reflector, for 100/150W, 310 standard

Bottom Cover for PC reflector, for 100/150W, 310 standard

PC clear cone reflector, for 100/150W, 410 Extend

Bottom Cover for PC reflector, for 100/150W, 410 Extend

PC clear cone reflector, for 200/240W, standard

Bottom Cover for PC reflector, for 200/240W, standard

PC clear cone reflector, for 200/240W, 510 Extend

Bottom Cover for PC reflector, for 200/240W, 510 Extend

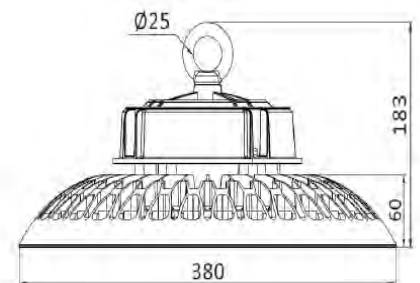
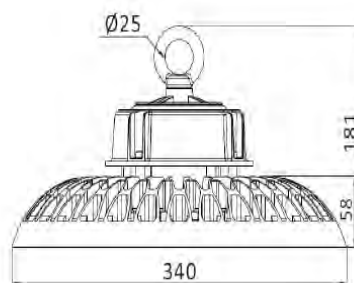
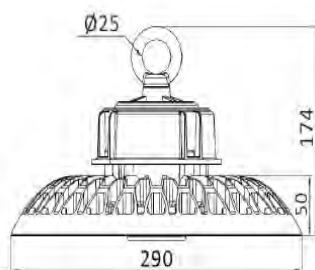
Microwave Occupancy Sensor, 15 M range

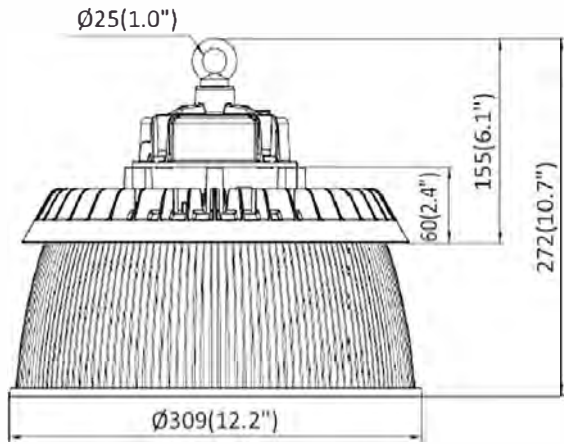
Remote control handset

ZJ Bracket

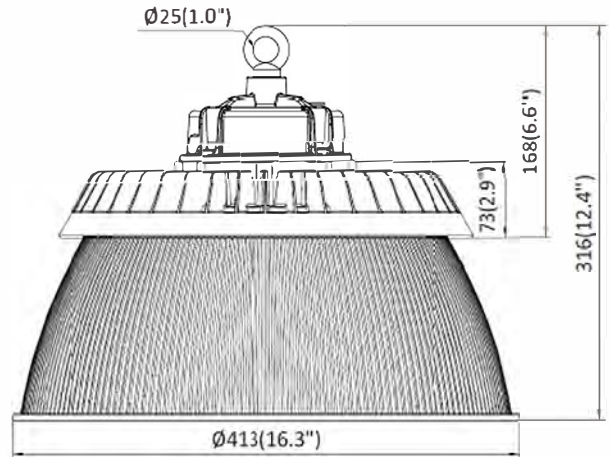
Sensor Socket Cover

Safety Rope

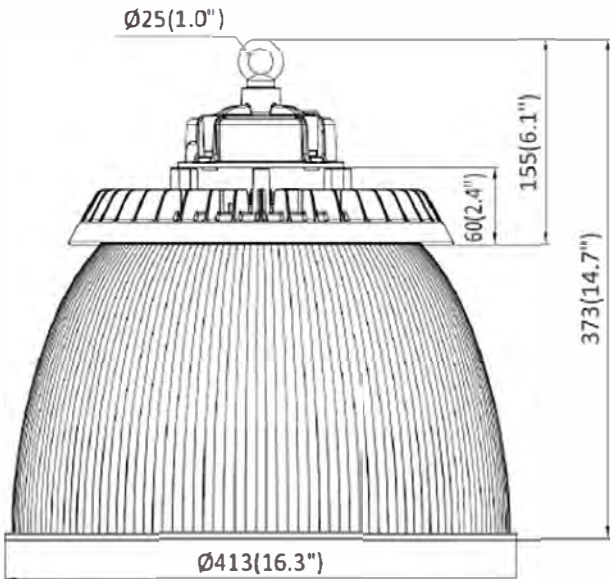




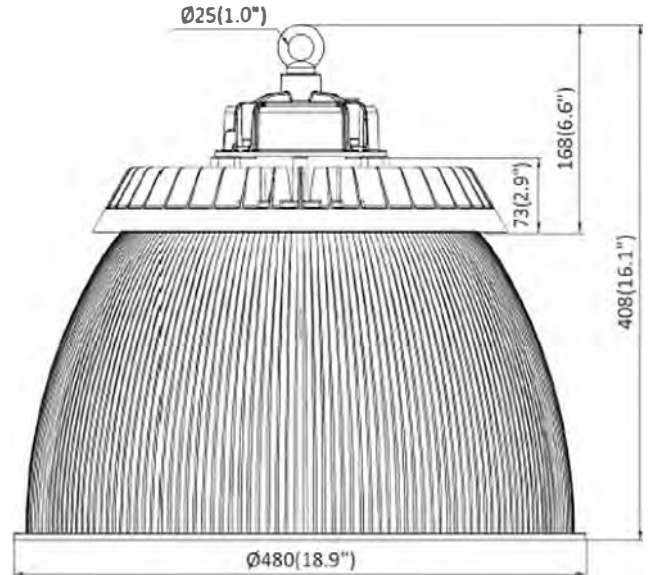
PCR1
 LHBO-K100 / LHBO-K150
 Medium Reflector (310)



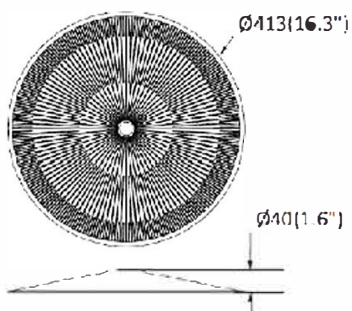
PCR2
 LHBO-K200 / LHBO-K240



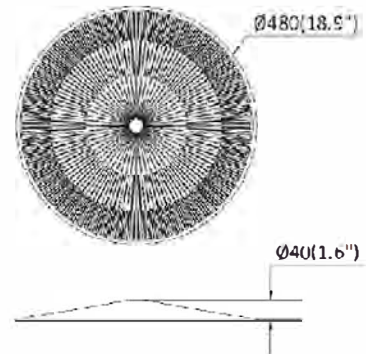
LHBO-K100 / LHBO-K150
 Extra Large Reflector (410)
 LHBO-K-PCR1A



LHBO-K200 / LHBO-K240
 Extra Large Reflector (510)
 LHBO-K-PCR2A



410 Bottom Cover
 LHBO-K-PCR1A-BC



510 Bottom Cover
 LHBO-K-PCR2A-BC

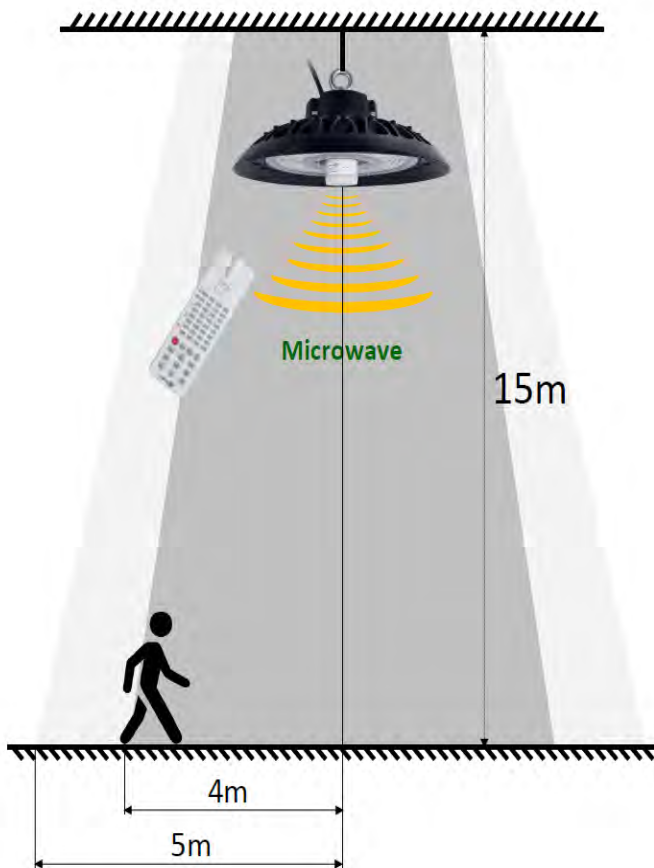
Microwave Sensor Details



Plug & Play Motion Sensor.

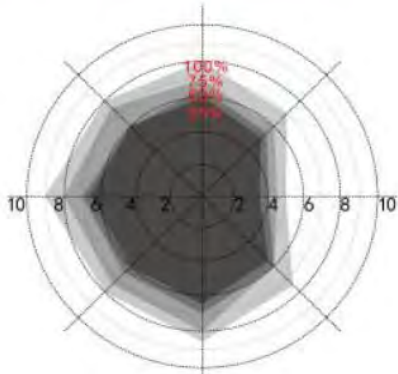
Features

- ⇒ Patent plug-in design structure, sensor part can be easily mount after sale.
- ⇒ IP65 water-proof, long detection range when install 15m height.
- ⇒ Easy to wire inside sensor by screw terminals.



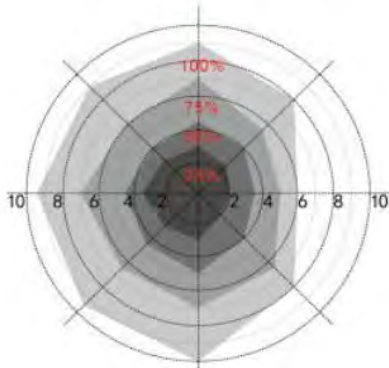
| | |
|-----------------------|--|
| Operating Frequency | 5.8GHz±75MHz, ISM band |
| Working Mode | ON/OFF, Dimming |
| Hold Time | 5S/30S/1min/3min/5min/10min/20min/30min |
| Standby Dimming Level | 10%/20%/30%/50% |
| Standby Period | 0S/10S/1min/3min/5min/10min/30min/+∞ |
| Detection Area | 25%/50%/75%/100% |
| Daylight Sensor | Daylight threshold: 5lux/15lux/30lux/50lux/100lux/150lux/Disable |
| Daylight Priority | ON/OFF value: (5lux/15lux/30lux/50lux)/150lux; 100lux/200lux; 150lux/300lux |
| Mounting Height | <15 meters |
| Detecting Angle | 150°(wall mounting), 360°(ceiling mounting) |

Ceiling mounted height: 3m
Sensitivity: 100%/75%/50%/25%



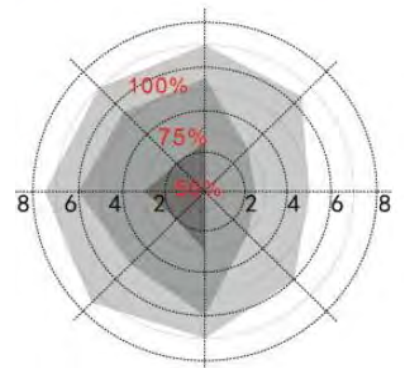
Normal moving (Speed:1m/s)

Ceiling mounted height: 12m
Sensitivity: 100%/75%/50%/25%

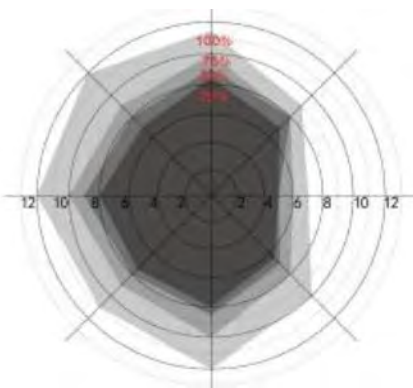


Normal moving (Speed:1m/s)

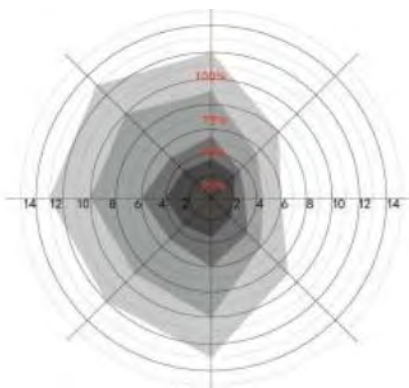
Ceiling mounted height: 15m(*)
Sensitivity: 100%/75%/50%



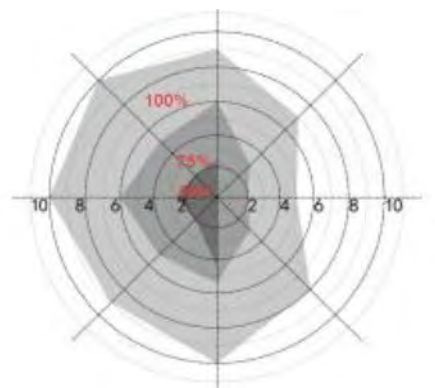
Normal moving (Speed:1m/s)



Slow moving (Speed 0.3m/s)

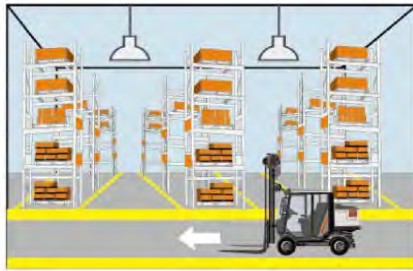


Slow moving (Speed 0.3m/s)

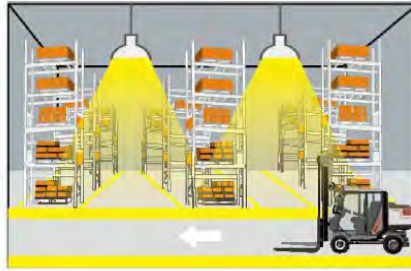


Slow moving (Speed 0.3m/s)

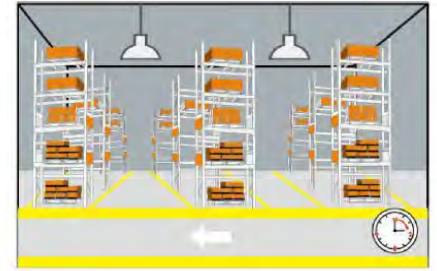
⇒ **On/OFF Function (stand-by period be set to "0"s)**



1 With sufficient ambient light, the light will not be switched on even if with motion signal.



2 With insufficient ambient light, the sensor switches on the light when motion is detected.



3 After elapse of hold time, the sensor switches off the light when no motion is detected.

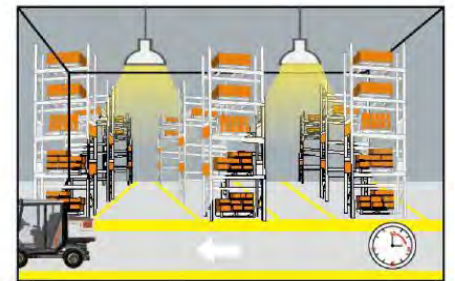
⇒ **2-step dimming function (stand-by period be set to "+∞")**



1 If there is no motion detected, the light will be remained at a low light level all the time.

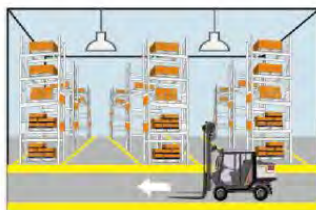


2 When motion is detected, the sensor will switch on the light to 100% brightness

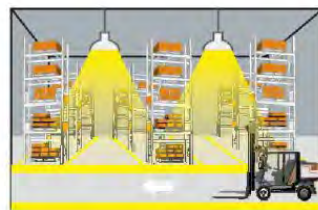


3 After elapse of hold time, the sensor dims the light at the present low light level if no motion is detected.

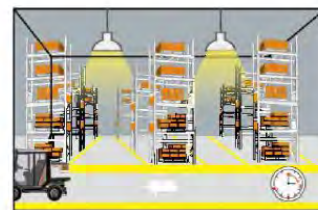
⇒ **3-step dimming function (stand-by period be set to "10S/1min/3min/5min/10min/30min")**



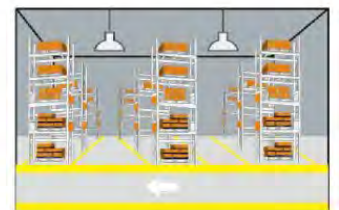
1 With sufficient ambient light, the light will not be switched on even if with motion signal.



2 With insufficient ambient light, the sensor switches on the light when motion is detected.

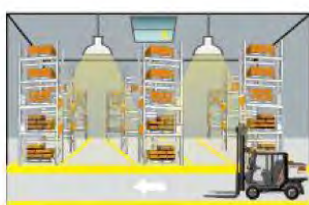


3 After elapse of hold time, the sensor dims the light at a low light level if no new motion is detected.



4 After elapse of standby period, the sensor switches off the light if no motion is detected in the detection zone.

⇒ **Daylight priority (stand-by period set to +∞)**



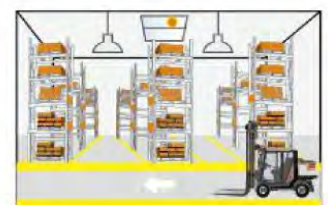
1 Lamp turns on at low light level 10% in the night.



2 Motion detected, lamp automatically lights up to 100%.



3 After hold time, the lamp gradually dims to a low light level 10% if no movement detected.



4 Lamp turns off after dawn.

Remote Control Description

| Button | Remarks | | | | | | | | | | | | | | | | | | | | | | | | | | | | |
|---------------|---|---------------|-----------------|--------------------|-----------------|--------------------|-----------------|-----------------|-----|------|-----|------|-----|------|----|-----|------|------|------|-----|-------|----|-----|------|------|-------|-----|-------|----|
| Dimmer On/Off | Long press this key "3S" to restore the ordinary light control threshold function. | | | | | | | | | | | | | | | | | | | | | | | | | | | | |
| ON/OFF | Press "ON/OFF" button, the light goes to constant on/off mode, sensor is disabled. Press any button to quit from this mode and the sensor starts to work. | | | | | | | | | | | | | | | | | | | | | | | | | | | | |
| Reset | Press "RESET" button, all parameters are same as setting of DIP switch or factory settings. | | | | | | | | | | | | | | | | | | | | | | | | | | | | |
| Sensor motion | Press "Sensor motion" button, the light quits from the constant on/off mode, and the sensor starts to work (The latest setting stays in validity). | | | | | | | | | | | | | | | | | | | | | | | | | | | | |
| DIM Test | Press "DIM Test" button, the 1-10VDC dimming works to test whether the 1-10 VDC dimming ports are connected properly. After 2S, it returns to the latest setting automatically. | | | | | | | | | | | | | | | | | | | | | | | | | | | | |
| DIM+ / DIM- | Short press "DIM+/DIM-" button to transmit dimming signal. The brightness of the lamp adjusts at 5% per unit. (not applicable for MC054V RC2) | | | | | | | | | | | | | | | | | | | | | | | | | | | | |
| DH Mode | Long press > 3S, sensor will take current light level as target lux level, to dim up/down load automatically according to the change of ambient light level. (not applicable for MC054V RC2) | | | | | | | | | | | | | | | | | | | | | | | | | | | | |
| QS1, QS2, QS3 | <table border="1"> <thead> <tr> <th>Scene Options</th> <th>Detection</th> <th>Hold Time</th> <th>Stand-by period</th> <th>Stand-by dim level</th> <th>Daylight Sensor</th> <th>Induction model</th> </tr> </thead> <tbody> <tr> <td>QS1</td> <td>100%</td> <td>30S</td> <td>1min</td> <td>10%</td> <td>5lux</td> <td>Hs</td> </tr> <tr> <td>QS2</td> <td>100%</td> <td>1min</td> <td>3min</td> <td>10%</td> <td>10lux</td> <td>Hs</td> </tr> <tr> <td>QS3</td> <td>100%</td> <td>5min</td> <td>10min</td> <td>10%</td> <td>30lux</td> <td>Hs</td> </tr> </tbody> </table> <p>Note: Detection area/Hold time/Stand-by period/Stand-bay dim level/Daylight sensor can be adjusted by pressing the corresponding button. The latest setting will stay valid.</p> | Scene Options | Detection | Hold Time | Stand-by period | Stand-by dim level | Daylight Sensor | Induction model | QS1 | 100% | 30S | 1min | 10% | 5lux | Hs | QS2 | 100% | 1min | 3min | 10% | 10lux | Hs | QS3 | 100% | 5min | 10min | 10% | 30lux | Hs |
| Scene Options | Detection | Hold Time | Stand-by period | Stand-by dim level | Daylight Sensor | Induction model | | | | | | | | | | | | | | | | | | | | | | | |
| QS1 | 100% | 30S | 1min | 10% | 5lux | Hs | | | | | | | | | | | | | | | | | | | | | | | |
| QS2 | 100% | 1min | 3min | 10% | 10lux | Hs | | | | | | | | | | | | | | | | | | | | | | | |
| QS3 | 100% | 5min | 10min | 10% | 30lux | Hs | | | | | | | | | | | | | | | | | | | | | | | |
| TEST 2S | Press the "TEST 2S" button can enter the test mode anytime. At the mode, the sensor parameters as below: Detection Area is 100%, Hold Time is 2S, Stand-by Dim Level is 10%, Stand-by Period is 0S, daylight sensor disable. This function only for testing. Quit the mode by preeing "RESET" or any other function buttons. | | | | | | | | | | | | | | | | | | | | | | | | | | | | |
| HS / LS | Press "HS" button to set the detection area to be high sensitive. Press "LS" button to set the detection area to be low sensitive. The adjustment bases on the "Detection Area" parameter you set. | | | | | | | | | | | | | | | | | | | | | | | | | | | | |

| | |
|--|--|
| | Daylight Sensor Set up daylight threshold: 5lux/15lux/30lux/50lux/100lux/150lux/disable. |
| | Stand-by period Set up stand-by time: 0S/10S/1min/3min/5min/10min/30min/+∞. |
| | Hold time Set up hold time: 5S/30S/1min/3min/5min/10min/30min. |
| | Stand-by dim level: 10%/20%/30%/50%. |
| | Detection Area Set up detection area: 25%/50%/75%/100%. |
| | Remote Distance Toggle botton can set the remote distance of remote control and sensor. |

Remote control and code setting conversion

- DIP switch setting convert to remote control press and bottom except "RESET" on the remote control, and the sensor settings convert to the function cirrimtly selected by the remote control. (No function button settings invalid)
- Remote control convert to DIP switch setting:
 - Press the "RESET" button on the remote control, and all settings return to the DIP switch settings of the sensor.
 - Turn off the power, toggle any DIP switch, connect to the power, and all settings return to the DIP switch settings when supply power again.